

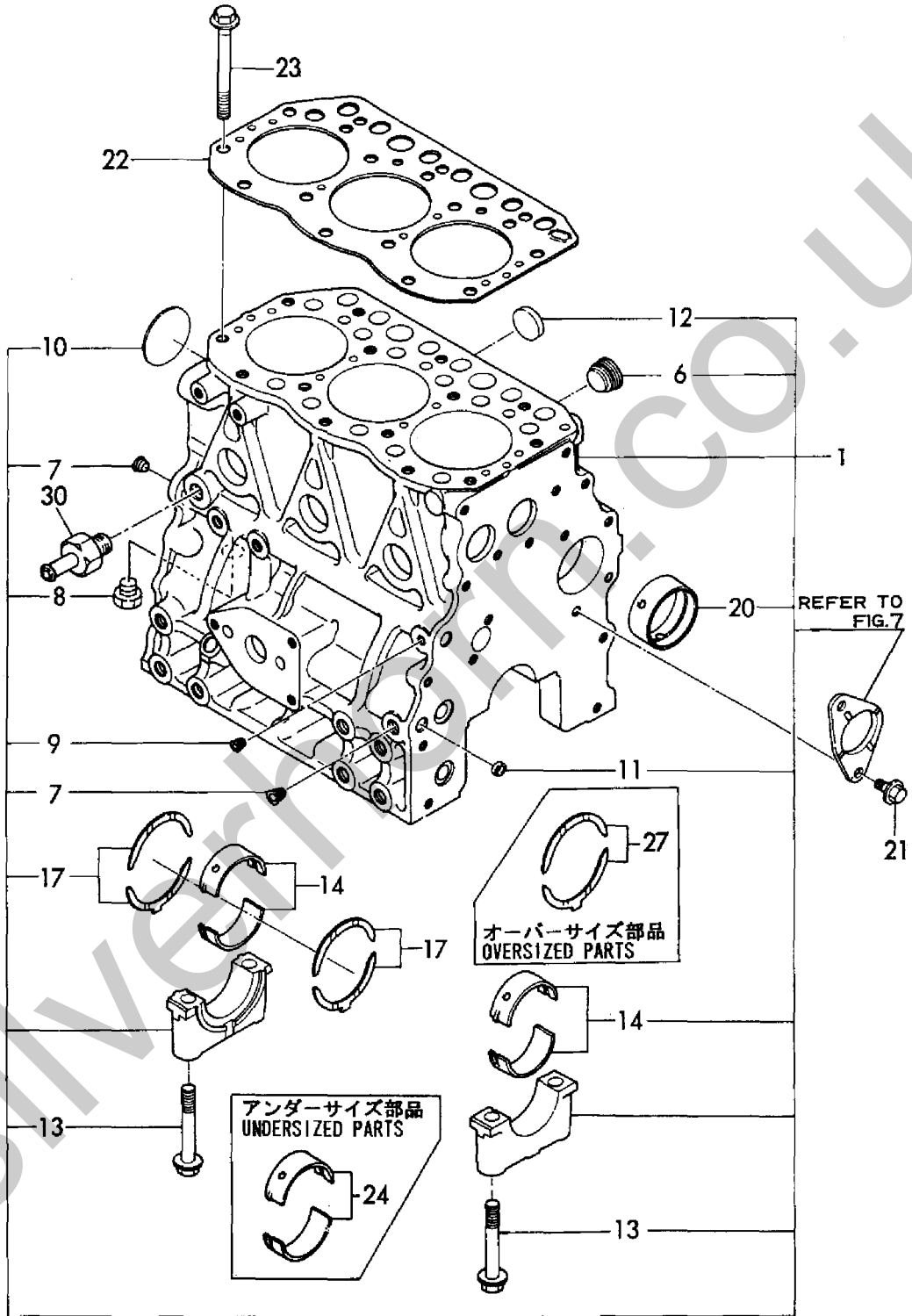
[Info]  
PcNo=Y00B4741  
PcName=3TN75L-RB1 (B22-2)  
JpnUse=1  
JpnSec1=fGf`fWf`  
JpnSec2=-§ -  
JpnSec3=TN  
JpnPreface=0  
EngUse=1  
EngSec1=ENGINE  
EngSec2=SMALL VERTICAL (B)  
EngSec3=TN  
EngPreface=0

Silverhorn.CO.UK

1,1,,719810-01560,, "BLOCK ASSY, CYLINDER",1,,,,,,,,,,,,,  
6,2,,171051-01921,, PLUG,1,,,,,,,,,,,,,  
7,2,,124160-01910,, "PLUG PT1/4",2,,,,,,,,,,,,,  
8,2,,23887-120002,, "PLUG 12,HEX.",1,,,,,,,,,,,,,  
9,2,,23871-010000,, "PLUG PT1/8,SCREW",1,,,,,,,,,,,,,  
10,2,,27231-500000,, "PLUG 50",1,,,,,,,,,,,,,  
11,2,,27241-120000,, "PLUG 12",2,,,,,,,,,,,,,  
12,2,,27241-300000,, "PLUG 30",6,,,,,,,,,,,,,  
13,2,,119620-02020,, BOLT,8,,,,,,,,,,,,,  
14,2,,119810-02800,, "MAIN BEARING",4,,,,,,,,,,,,,  
17,2,,119810-02930,, "BEARING, THRUST",2,,,,,,,,,,,,,  
20,2,,129795-02411,, "BUSH, CAMSHAFT",1,,,,,,,,,,,,,  
21,1,,26106-080162,, "BOLT M 8X 16 PLATED",2,,,,,,,,,,,,,  
22,1,,119865-01331,, "GASKET, CYL. HEAD",1,,,,,A,,,,,,,,,  
23,1,,119810-01200,, "BOLT, CYL. HEAD",14,,,,,,,,,,,,,  
24,1,,119810-02870,, "MAIN BEARING US=0.25",4,,,,,1,,,,,,,,,  
27,1,,119810-02940,, "BEARING,THRUST .250S",2,,,,,2,,,,,,,,,  
30,1,,121550-49111,, "JOINT PT1/4",1,,,,,,,,,,,,,

Silverhorn.CO.UK

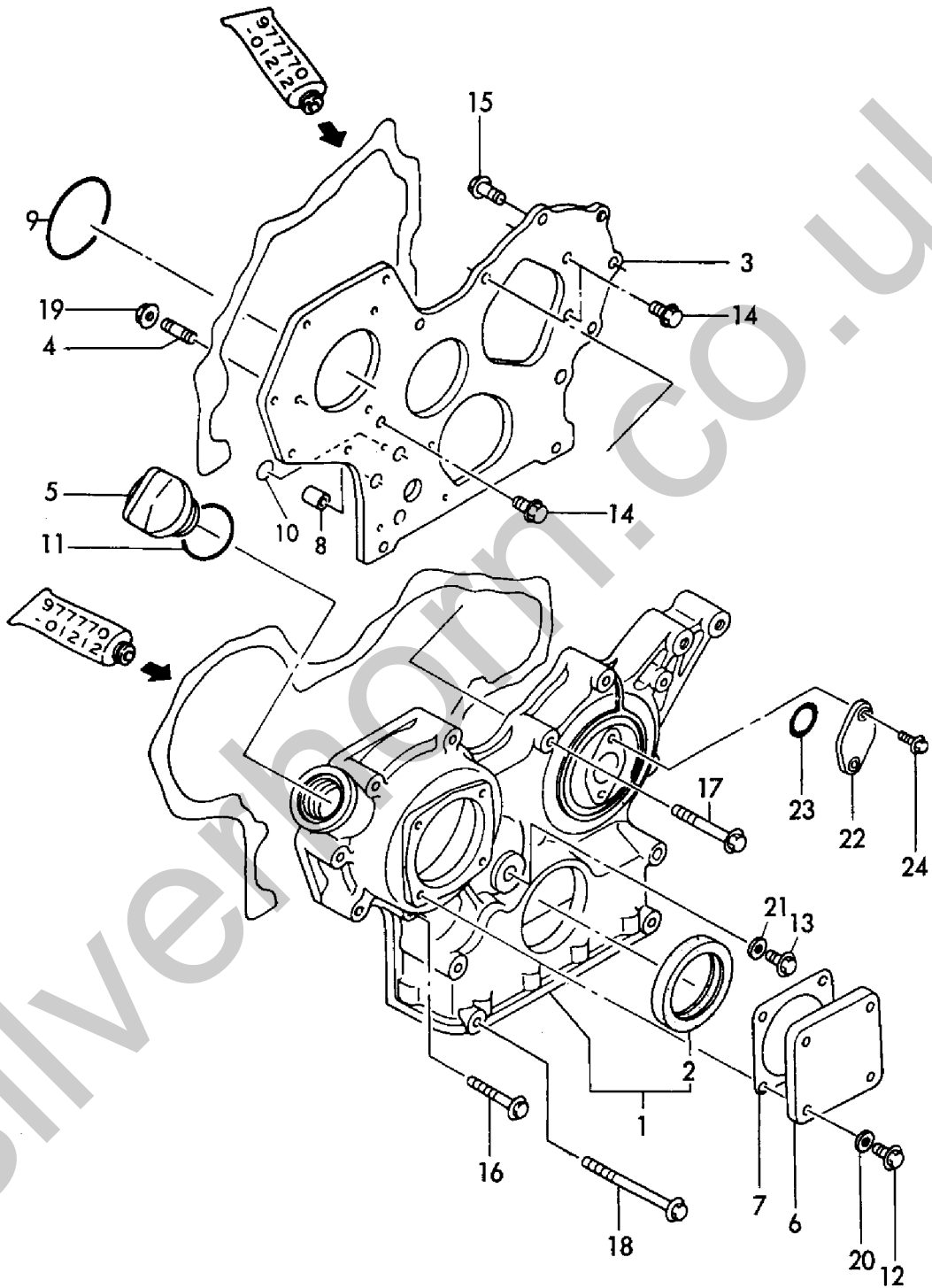
Fig. 1 シリンダブロック  
CYLINDER BLOCK



1,1,,719810-01500,, "HOUSING ASSY, GEAR",1,,,,,,,,,,,,,  
2,2,,129795-01800,, "SEAL, OIL",1,,,,,,,,,,,,,  
3,1,,129400-01520,, "FLANGE,GEARS HOUSING",1,,,,,,,,,,,,,  
4,1,,121450-01560,, "STUD M 8X 22",3,,,,,,,,,,,,,  
5,1,,124160-01751,, "CAP, LUB.OIL SUPPLY",1,,,,,,,,,,,,,  
6,1,,124240-01871,, "COVER, HO-P",1,,,,,,,,,,,,,  
7,1,,124240-01883,, "GASKET, (NON-ASB.)",1,,,,,,,,,A,,,,,,,,,  
8,1,,129795-01950,, "PIPE, KNOCK L=18",2,,,,,,,,,,,,,  
9,1,,121850-51960,, "O-RING, F.I.PUMP",1,,,,,,,,,,,,,  
10,1,,24311-000160,, "O-RING 1A P-16.0",2,,,,,,,,,,,,,  
11,1,,24311-000320,, "O-RING 1A P-32.0",1,,,,,,,,,A,,,,,,,,,  
12,1,,26106-080122,, "BOLT M 8X 12 PLATED",4,,,,,,,,,,,,,  
13,1,,26106-080162,, "BOLT M 8X 16 PLATED",1,,,,,,,,,,,,,  
14,1,,26106-080162,, "BOLT M 8X 16 PLATED",3,,,,,,,,,,,,,  
15,1,,26106-080202,, "BOLT M 8X 20 PLATED",2,,,,,,,,,,,,,  
16,1,,26106-080452,, "BOLT M 8X 45 PLATED",6,,,,,,,,,,,,,  
17,1,,26106-080552,, "BOLT M 8X 55 PLATED",3,,,,,,,,,,,,,  
18,1,,26106-080852,, "BOLT M 8X 85 PLATED",4,,,,,,,,,,,,,  
19,1,,26366-080002,, "NUT M 8",3,,,,,,,,,,,,,  
20,1,,43400-500410,, "SEAL WASHER 8S",4,,,,,,,,,,,,,  
20-1,1,,22190-080002,, "SEAL WASHER 8S",4,,,,,,,,,R,,,"E/# 47470",,,,,,,,,,  
21,1,,43400-500410,, "SEAL WASHER 8S",1,,,,,,,,,,,,,  
21-1,1,,22190-080002,, "SEAL WASHER 8S",1,,,,,,,,,R,,,"E/# 47470",,,,,,,,,,  
22,1,,121023-01550,, "COVER, BLIND",1,,,,,,,,,,,,,  
23,1,,24341-000240,, "O-RING 1A S-24.0",1,,,,,,,,,,,,,  
24,1,,26106-060122,, "BOLT M 6X 12 PLATED",2,,,,,,,,,,,,,



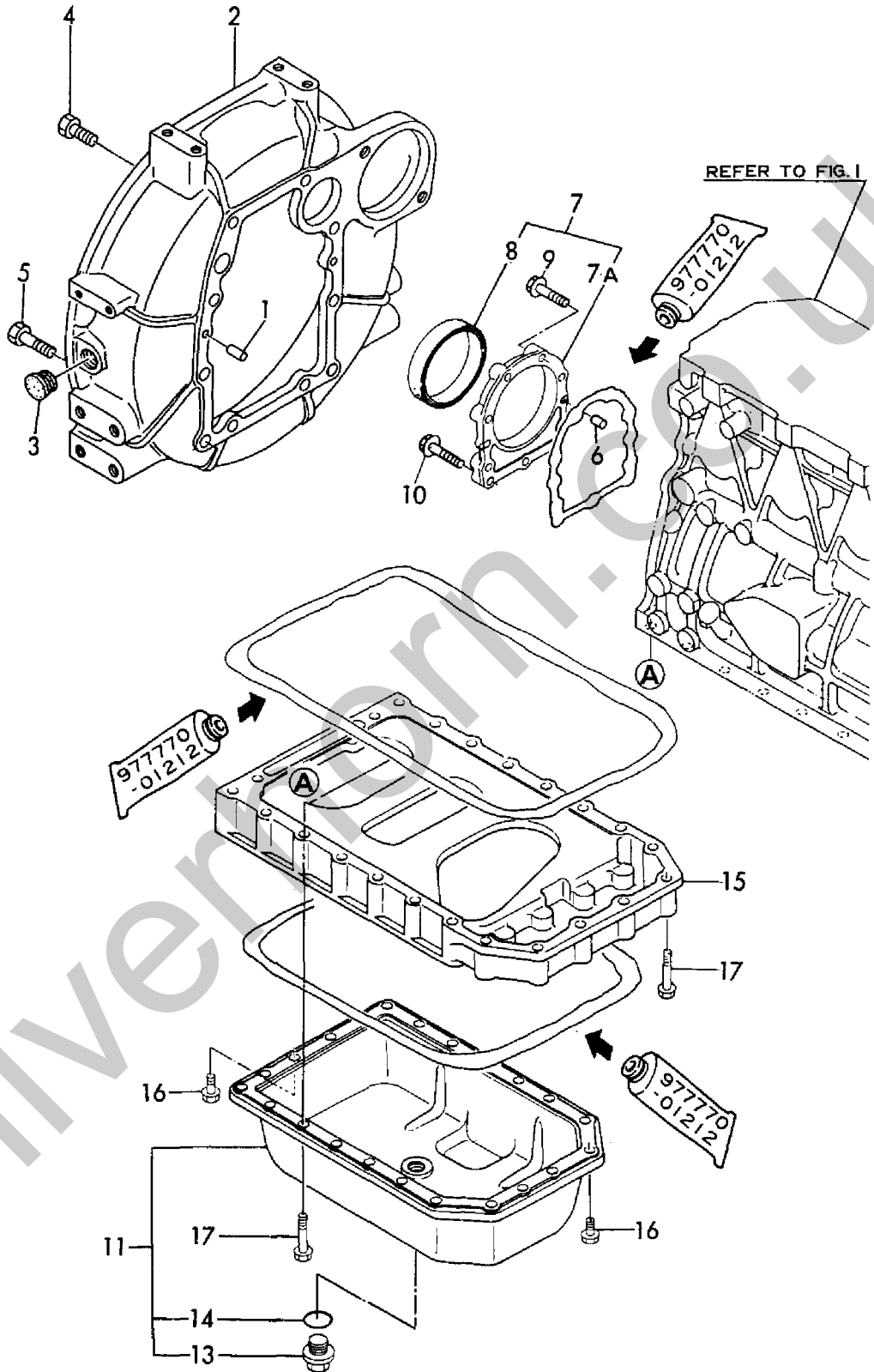
Fig. 2 ギヤケース  
GEAR HOUSING



1,1,,129100-01580,, "PARALLEL PIN 8X16",2,,,,,,,,,,,,,,,,,  
2,1,,171301-01600,, "HOUSING, FLYWHEEL",1,,,,,,,,,,,,,,,,,  
3,1,,119620-01750,, "CAP, FLYWHEEL COVER",1,,,,,,,,,,,,,,,,,  
4,1,,26206-100252,, "BOLT M10X25",6,,,,,,,,,,,,,,,,,  
5,1,,26206-100302,, "BOLT M10X30",4,,,,,,,,,,,,,,,,,  
6,1,,129100-01580,, "PARALLEL PIN 8X16",2,,,,,,,,,,,,,,,,,  
7,1,,719810-01650,, "CASE ASSY, OIL SEAL",1,,,,,,,,,,,,,,,,,  
7A,2,,119860-01650,, "CASE, OIL SEAL",1,,,,,,,,,,,,,,,,,  
8,2,,119810-01780,, "SEAL, OIL",1,,,,,,,,,,,,,,,,,  
9,1,,26106-080302,, "BOLT M 8X 30 PLATED",6,,,,,,,,,,,,,,,,,  
10,1,,26106-080352,, "BOLT M 8X 35 PLATED",3,,,,,,,,,,,,,,,,,  
11,2,,119810-01790,, "SUMP ASSY, OIL",1,,,,,,,,,,,,,,,,,  
13,2,,171301-01640,, "PLUG M22",1,,,,,,,,,,,,,,,,,  
13-1,2,,119640-01640,, "DRAIN PLUG M22",1,,,,,S,,,, "E/# 47804",,,,,,  
14,2,,24341-000240,, "O-RING 1A S-24.0",1,,,,,,,,,,,,,,,,,  
14-1,2,,22190-220002,, "SEAL WASHER 22S",1,,,,,S,,,, "E/# 47804",,,,,,  
15,1,,119810-01730,, "SPACER, L.O. SUMP",1,,,,,,,,,,,,,,,,,  
16,1,,26106-080162,, "BOLT M 8X 16 PLATED",6,,,,,,,,,,,,,,,,,  
17,1,,26106-080452,, "BOLT M 8X 45 PLATED",22,,,,,,,,,,,,,,,,,

Silverhorn.CO.UK

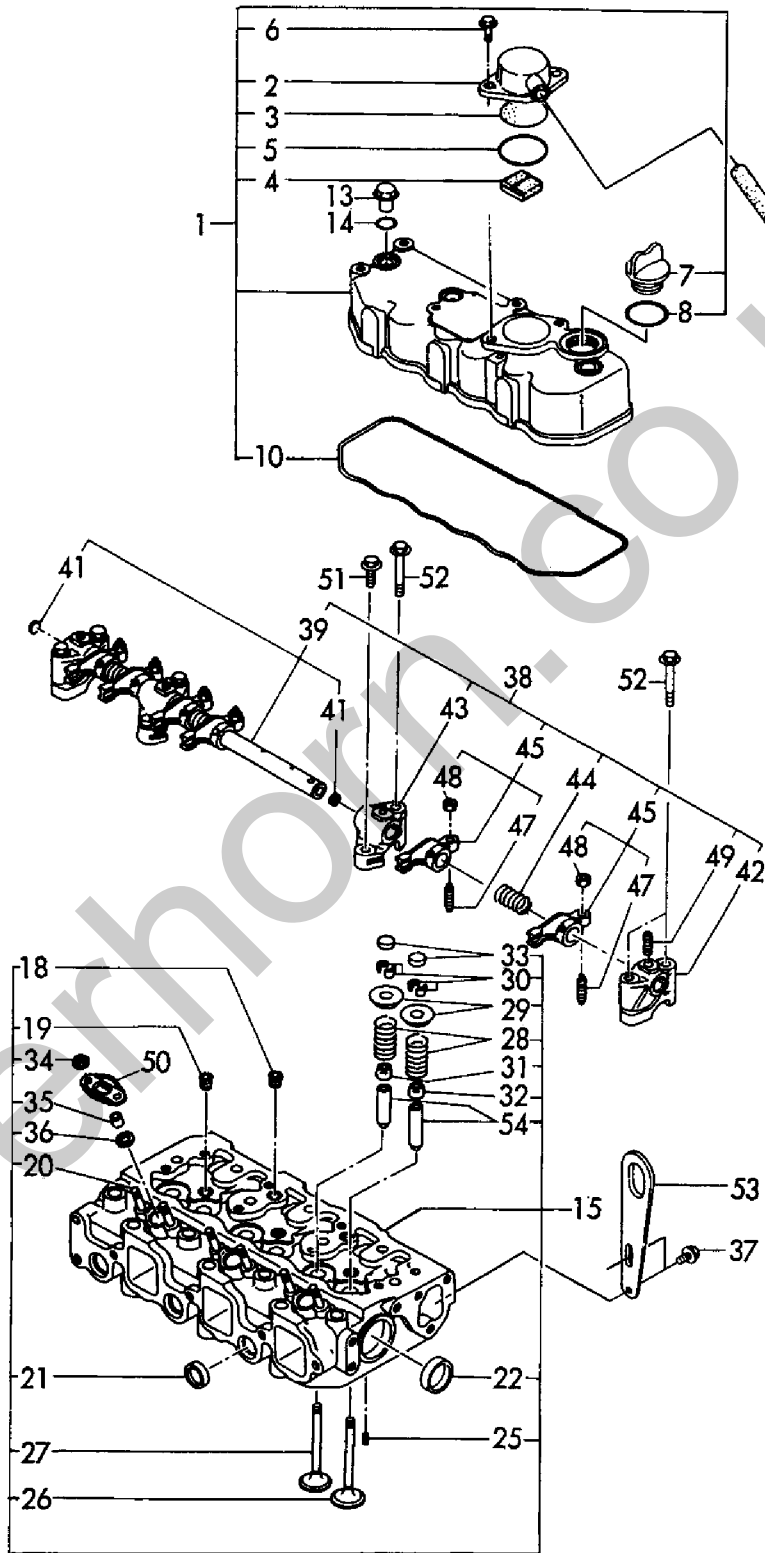
Fig. 3 フライホイールハウジング&オイルパン  
FLYWHEEL HOUSING & LUB. OIL SUMP



1,1,,119810-11350,, "BONNET ASSY",1,,,,,,,,,,,,,  
1-1,1,,719810-11520,, "BONNET ASSY, HEAD",1,,,,,R,,,, "E/# 48165",,,,,,  
2,2,,129150-03020,, "COVER, BREATHER",1,,,,,,,,,,,,,  
3,2,,129150-03080,, "PLATE, SHELTER",1,,,,,,,,,,,,,  
4,2,,129150-03070,, "BAFFLE, BREATHER",1,,,,,,,,,,,,,  
5,2,,24341-000500,, "O-RING 1A S-50.0",1,,,,,,,,,,,,,  
6,2,,26106-080162,, "BOLT M 8X 16 PLATED",2,,,,,,,,,,,,,  
7,2,,124160-01751,, "CAP, LUB.OIL SUPPLY",1,,,,,,,,,,,,,  
8,2,,24311-000320,, "O-RING 1A P-32.0",1,,,,,A,,,,,  
10,2,,119865-11310,, "GASKET, BONNET",1,,,,,A,,,,,  
11,1,,129403-03080,, "PIPE, BREATHER",1,,,,,,,,,,,,,  
11-1,1,,119856-03090,, "HOSE",1,,,,,N,,,, "EXXX",,,,,,  
12,1,,129150-03100,, "RETAINER",1,,,,,,,,,,,,,  
13,1,,124160-11360,, "KNOB",3,,,,,,,,,,,,,  
14,1,,24311-000120,, "O-RING 1A P 12.0",3,,,,,,,,,,,,,  
15,1,,719831-11700,, "HEAD ASSY,CYLINDER",1,,,,,,,,,,,,,  
18,3,,121850-11860,, "PLUG PT1/4",2,,,,,,,,,,,,,  
19,3,,23871-030000,, "PLUG PT3/8,SCREW",3,,,,,,,,,,,,,  
20,3,,26216-060302,, "STUD M 6X 30 PLATED",6,,,,,,,,,,,,,  
21,3,,27241-220000,, "PLUG 22",3,,,,,,,,,,,,,  
22,3,,27241-400000,, "PLUG 40",2,,,,,,,,,,,,,  
25,2,,22351-060012,, "SPRING PIN 6X12",2,,,,,,,,,,,,,  
26,2,,119810-11100,, "VALVE, SUCTION",3,,,,,,,,,,,,,  
27,2,,119810-11110,, "VALVE, EXHAUST",3,,,,,,,,,,,,,  
28,2,,119810-11120,, "SPRING, VALVE",6,,,,,,,,,,,,,  
29,2,,104211-11180,, "RETAINER, SPRING",6,,,,,,,,,,,,,  
30,2,,101158-11190,, "COTTER",6,,,,,,,,,,,,,  
30-1,2,,27310-070000,, "COTTER",6,,,,,R,,,, "E/# 48716",,,,,,  
31,2,,124950-11340,, "SEAL, VALVE STEM",3,,,,,,,,,,,,,  
32,2,,124160-11340,, "SEAL, VALVE STEM",3,,,,,,,,,,,,,  
33,2,,104211-11370,, "CAP, VALVE",6,,,,,,,,,,,,,  
34,2,,26366-060002,, "NUT M 6",6,,,,,,,,,,,,,  
35,2,,119625-11870,, "PROTECTOR, NOZZLE",3,,,,,,,,,,,,,  
35-1,2,,119625-11871,, "PROTECTOR, NOZZLE",3,,,,,R,,,, "E/# 48067",,,,,,  
36,2,,119625-11880,, "SEAT, NOZZLE",3,,,,,,,,,,,,,  
37,1,,26106-080142,, "BOLT M 8X 14 PLATED",2,,,,,,,,,,,,,  
38,1,,119865-11200,, "SUPPORT ASSY, ROCKER",1,,,,,,,,,,,,,  
38-1,1,,119865-11210,, "SUPPORT ASSY, ROCKER",1,,,,,N,,,, "E/# 45622",,,,,,  
39,2,,119810-11240,, "SHAFT, ROCKER ARM",1,,,,,,,,,,,,,  
41,3,,27241-100000,, "PLUG 10",2,,,,,,,,,,,,,  
42,2,,129155-11260,, "SUPPORT, ROCKER ARM",2,,,,,,,,,,,,,  
43,2,,129155-11270,, "SUPPORT, ROCKER ARM",2,,,,,,,,,,,,,  
44,2,,129150-11280,, "SPRING",3,,,,,,,,,,,,,  
45,3,,719810-11650,, "ARM ASSY, ROCKER",6,,,,,,,,,,,,,  
45-1,3,,719810-11660,, "ARM ASSY, ROCKER",6,,,,,N,,,, "E/# 45622",,,,,,  
47,3,,129150-11230,, "SCREW, VALVE",6,,,,,,,,,,,,,  
48,3,,129150-11750,, "NUT M8XP1.0",6,,,,,,,,,,,,,  
49,2,,26226-080182,, "STUD M 8X 18 PLATED",3,,,,,,,,,,,,,  
50,1,,119625-11900,, "RETAINER",3,,,,,,,,,,,,,  
51,1,,26106-080252,, "BOLT M 8X 25 PLATED",2,,,,,,,,,,,,,  
52,1,,26106-080502,, "BOLT M 8X 50 PLATED",6,,,,,,,,,,,,,  
53,1,,124736-07900,, "LIFTER, ENGINE",1,,,,,,,,,,,,,  
54,1,,124060-11800,, "GUIDE, VALVE",6,,,,,1,,,,,,,,,



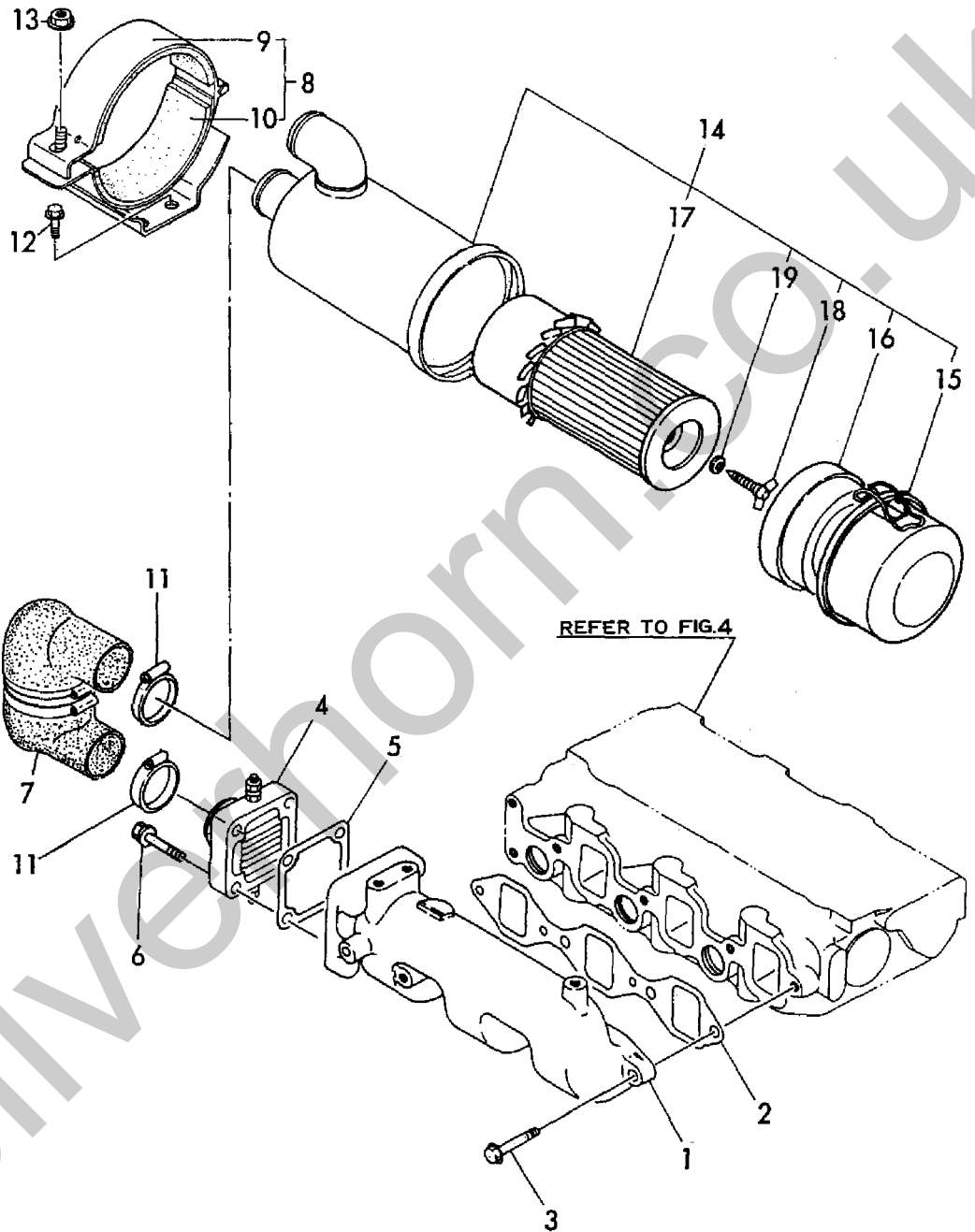
Fig. 4 シリンダヘッド & ボンネット  
CYLINDER HEAD & BONNET



1,1,,171301-12701,, "MANIFOLD, SUCTION",1,,,,,,,,,,,,,  
2,1,,119810-12111,, "GASKET, (NON-ASB.)",1,,,,,,,,,A,,,,,,,,,  
3,1,,26106-080252,, "BOLT M 8X 25 PLATED",4,,,,,,,,,,,,,  
4,1,,129120-77501,, "HEATER, AIR",1,,,,,,,,,,,,,  
5,1,,129150-77511,, "GASKET, (NON-ASB.)",1,,,,,,,,,,,,,  
6,1,,26106-080352,, "BOLT M 8X 35 PLATED",4,,,,,,,,,,,,,  
7,1,,119831-12200,, "SILENCER, SUCTION",1,,,,,,,,,,,,,  
8,1,,119632-12590,, "SUPPORT, AIR CLEANER",1,,,,,,,,,,,,,  
9,2,,119632-12560,, "SUPPORT, AIR CLEANER",1,,,,,,,,,,,,,  
10,2,,119640-12580,, "FELT, SUPPORT",2,,,,,,,,,,,,,  
11,1,,23000-060000,, "CLAMP 60",2,,,,,,,,,,,,,  
12,1,,26014-080202,, "BOLT M 8X 20",4,,,,,,,,,,,,,  
13,1,,26366-080002,, "NUT M 8",1,,,,,,,,,,,,,  
14,1,,119831-12520,, "CLEANER, AIR",1,,,,,,,,,,,,,  
15-1,2,,121465-12660,, "PAN, DUST",1,,,,,,,,,1,,,,,,,,,  
16-1,2,,121465-12700,, "RETAINER",1,,,,,,,,,2,,,,,,,,,  
17-1,2,,121465-12510,, "ELEMENT, AIR CLEANER",1,,,,,,,,,3,,,,,,,,,  
18-1,2,,124064-12680,, "BOLT, WING",1,,,,,,,,,4,,,,,,,,,  
19-1,2,,124064-12690,, "WASHER",1,,,,,,,,,5,,,,,,,,,

Silverhorn.CO.UK

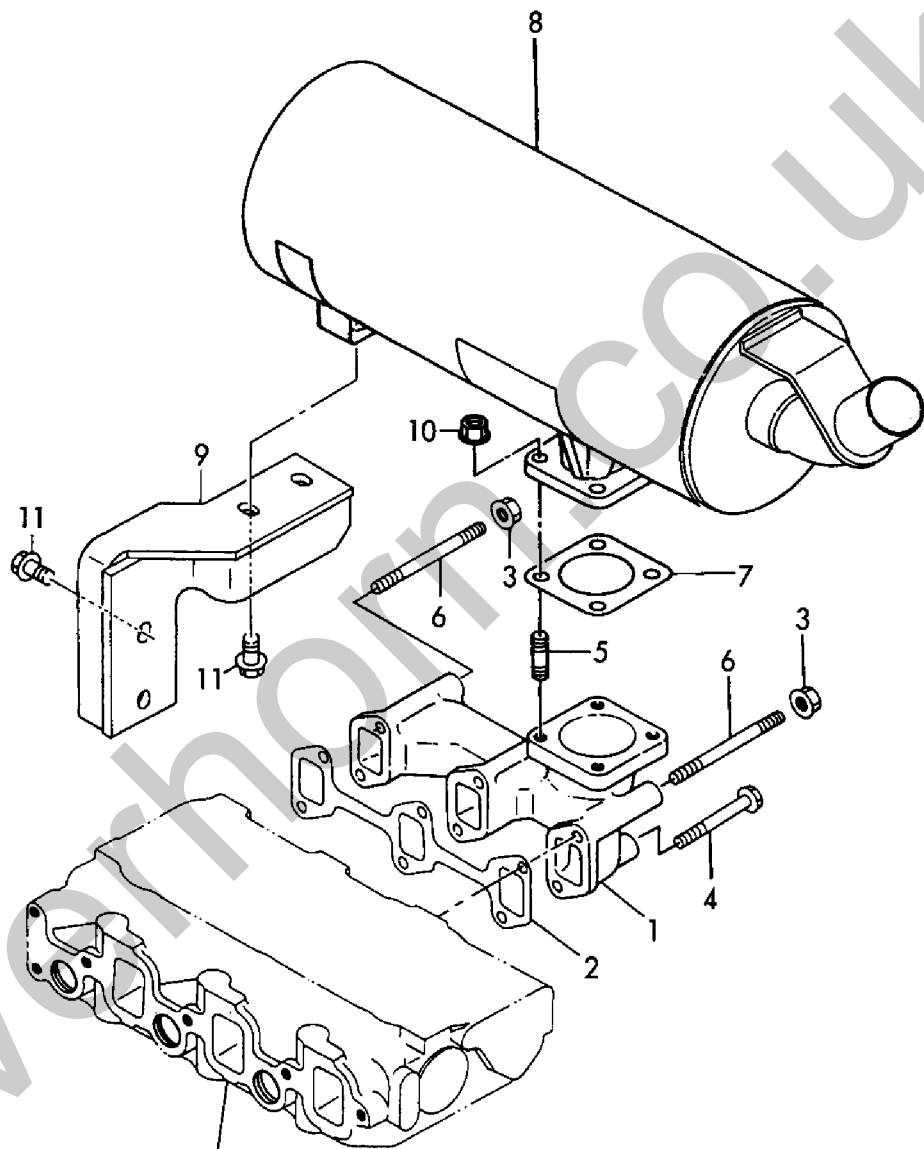
Fig. 5 吸気マニホールド&エアクリーナ  
SUCTION MANIFOLD & AIR CLEANER



1,1,,119888-13101,, "MANIFOLD, EXHAUST",1,,,,,,,,,,,,,  
2,1,,119810-13110,, "GASKET, EXH.MANIFOLD",1,,,,,,,,,A,,,,,,,,,  
3,1,,194990-22050,, "NUT W/WASHER 8",2,,,,,,,,,,,,,  
4,1,,26106-080602,, "BOLT M 8X 60 PLATED",4,,,,,,,,,,,,,  
5,1,,26216-080222,, "STUD M 8X 22 PLATED",4,,,,,,,,,,,,,  
6,1,,26226-080602,, "STUD 8X60",2,,,,,,,,,,,,,  
7,1,,124701-11911,, "GASKET, (NON-ASB.)",1,,,,,,,,,,,,,  
8,1,,119831-13520,, SILENCER,1,,,,,,,,,,,,,  
9,1,,119836-13650,, "STAY, SILENCER",1,,,,,,,,,,,,,  
10,1,,194990-22050,, "NUT W/WASHER 8",4,,,,,,,,,,,,,  
11,1,,26014-080202,, "BOLT M 8X 20",4,,,,,,,,,,,,,

Silverhorn.CO.UK

Fig. 6 排気マニホールド&サイレンサ  
EXHAUST MANIFOLD & SILENCER

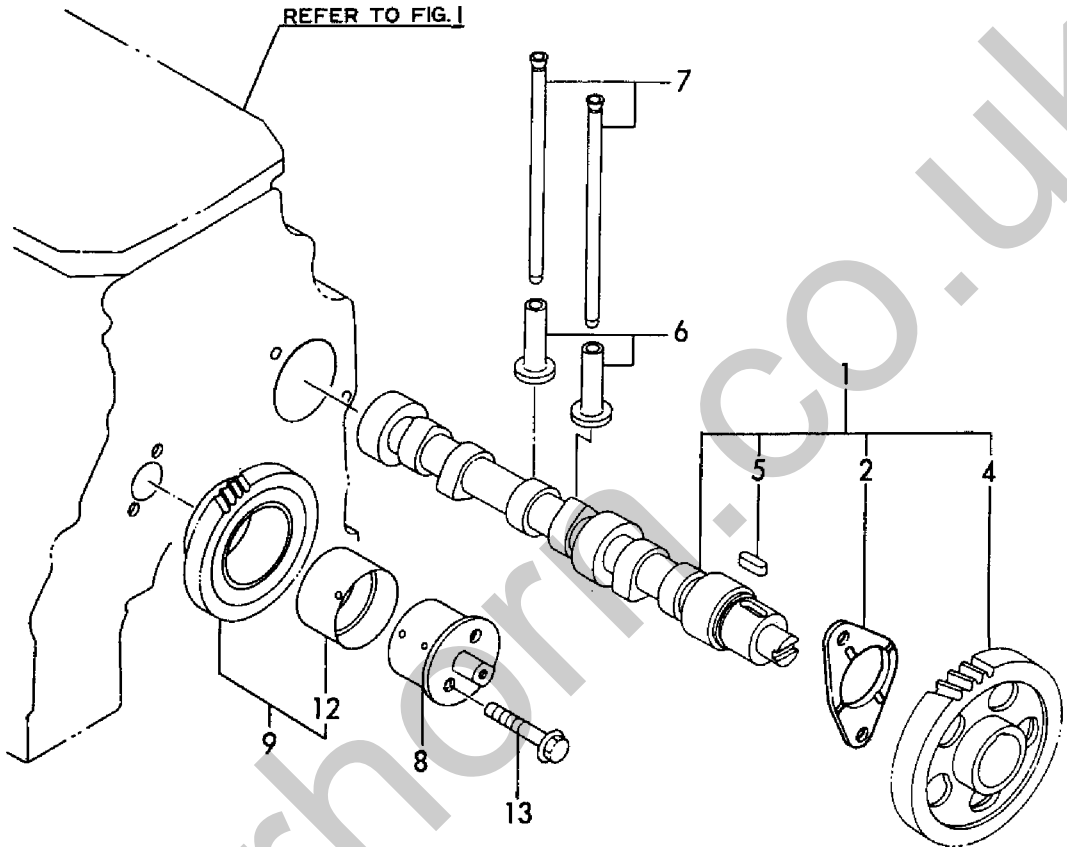


REFER TO FIG.4

1,1,,119810-14580,, "CAMSHAFT ASSY",1,,,,,,,,,,,,,  
2,2,,129150-02450,, "BEARING, THRUST",1,,,,,,,,,,,,,  
4,2,,129150-14101,, "GEAR, CAMSHAFT",1,,,,,,,,,,,,,  
5,2,,22512-070140,, "KEY 7X 14",1,,,,,,,,,,,,,  
6,1,,129150-14200,, "TAPPET",6,,,,,,,,,,,,,  
7,1,,119810-14400,, "ROD, PUSH",6,,,,,,,,,,,,,  
8,1,,129100-25061,, "SHAFT, IDLE GEAR",1,,,,,,,,,,,,,  
9,1,,129150-25101,, "GEAR W/BUSH",1,,,,,,,,,,,,,  
12,2,,129150-25920,, "BUSH, IDLE GEAR",1,,,,,,,,1,,,,,  
13,1,,26106-080452,, "BOLT M 8X 45 PLATED",2,,,,,,,,,,,,,

Silverhorn.CO.UK

Fig. 7 カムシャフト&駆動ギヤ  
CAMSHAFT & DRIVING GEAR

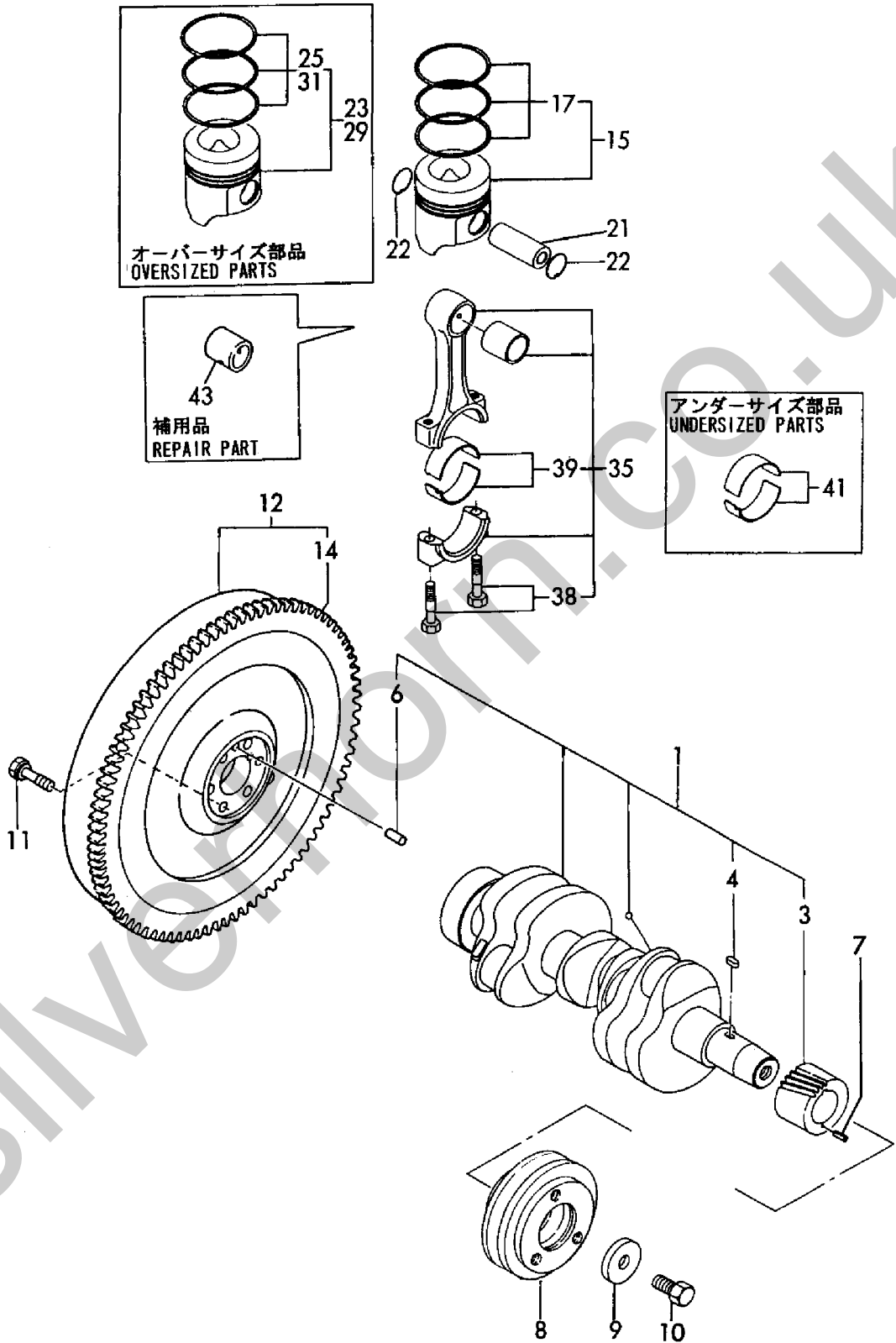


1,1,,719810-21700,, "CRANKSHAFT ASSY",1,,,,,,,,,,,,,  
3,2,,129150-21200,, "GEAR, CRANKSHAFT",1,,,,,,,,,,,,,  
4,2,,22512-070140,, "KEY 7X 14",1,,,,,,,,,,,,,  
6,2,,129100-01580,, "PARALLEL PIN 8X16",1,,,,,,,,,,,,,  
7,1,,22351-040010,, "SPRING PIN 4X10",1,,,,,,,,,,,,,  
8,1,,171301-21650,, "V-PULLEY, CRANKSHAFT",1,,,,,,,,,,,,,  
9,1,,129795-21661,, "WASHER",1,,,,,,,,,,,,,  
10,1,,121850-21680,, "BOLT, V-PULLEY",1,,,,,,,,,,,,,  
11,1,,121111-21501,, "BOLT, FLYWHEEL",6,,,,,,,,,,,,,  
12,1,,171325-21590,, "FLYWHEEL W/GEAR",1,,,,,,,,,,,,,  
14,2,,119865-21600,, "GEAR, RING",1,,,,,,,,,,,,,  
15,1,,119810-22080,, "PISTON ASSY",3,,,,,,,,,,,,,  
17,2,,719865-22500,, "RING SET",3,,,,,,,,,,,,,  
21,1,,119810-22300,, "PIN, PISTON",3,,,,,,,,,,,,,  
22,1,,119810-22400,, "CIRCLIP",6,,,,,,,,,,,,,  
23,1,,719810-22900,, "PISTON W/RING OS=.25",3,,,,,,,,,1,,,,,,,,,  
25,2,,719810-22950,, "RING SET O.S=0.25",3,,,,,,,,,1,,,,,,,,,  
29,1,,119810-22920,, "PISTON W/RING OS=0.5",3,,,,,,,,,2,,,,,,,,,  
31,2,,719885-22550,, "RING SET O.S=0.5",3,,,,,,,,,2,,,,,,,,,  
35,1,,719810-23100,, "ROD ASSY, CONNECTING",3,,,,,,,,,,,,,  
38,2,,119810-23200,, "BOLT, CONNECTING ROD",6,,,,,,,,,,,,,  
39,2,,119810-23600,, "BEARING, CRANKPIN",3,,,,,,,,,,,,,  
41,1,,119810-23610,, "BEARING, PIN U.S=0.25",3,,,,,,,,,3,,,,,,,,,  
43,1,,119810-23910,, "BUSH, PISTON PIN",3,,,,,,,,,4,,,,,,,,,

Silverhorn.CO.UK



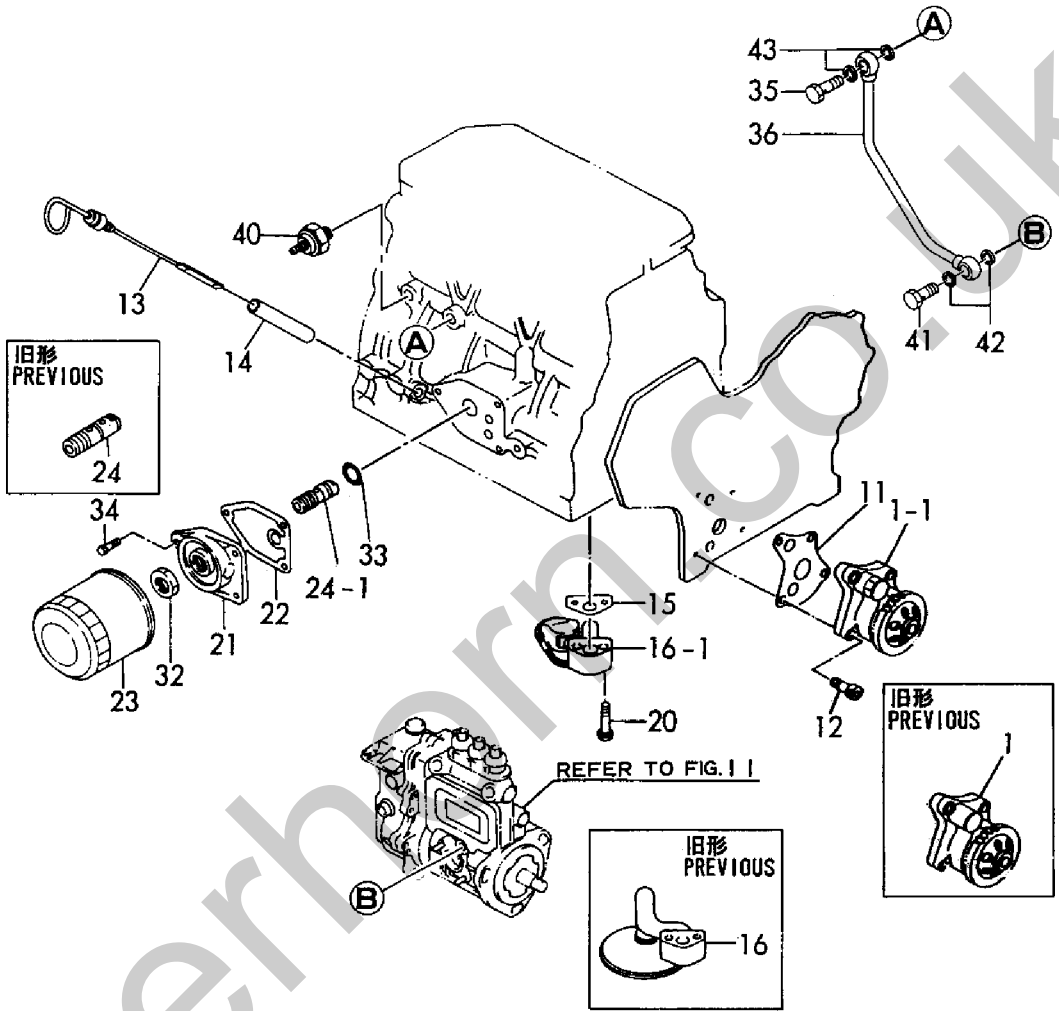
Fig. 8 クランクシャフト & ピストン  
CRANKSHAFT & PISTON



1,1,,119810-32000,, "PUMP ASSY, LUB. OIL",1,,,,,,,,,,,,,  
1-1,1,,129001-32001,, "PUMP ASSY, LUB. OIL",1,,,,,S,, "E/# 48604",,,,,,  
11,1,,129150-32020,, "GASKET, L.O. PUMP",1,,,,,A,,,,,  
12,1,,26450-060252,, "BOLT M 6X 25",4,,,,,,,,,,,,,  
13,1,,119812-34800,, "DIPSTIC, LUB OIL",1,,,,,,,,,,,,,  
14,1,,121520-34810,, "GUIDE, DIPSTICK",1,,,,,,,,,,,,,  
15,1,,129150-35041,, "GASKET, (NON-ASB.)",1,,,,,A,,,,,  
16,1,,119810-35400,, "PIPE ASSY, OIL INLET",1,,,,,,,,,,,,,  
16-1,1,,119810-35401,, "PIPE ASSY, OIL INLET",1,,,,,N,, "E/# 48241",,,,,,  
20,1,,26106-080352,, "BOLT M 8X 35 PLATED",2,,,,,,,,,,,,,  
21,1,,129150-35101,, "BRACKET, STRAINER",1,,,,,,,,,,,,,  
22,1,,129150-35111,, "GASKET, (NON-ASB.)",1,,,,,A,,,,,  
23,1,,129150-35151,, "FILTER 80X80L",1,,,,,,,,,,,,,  
24,1,,119865-35300,, "VALVE ASSY,OIL PRESS",1,,,,,,,,,,,,,  
24-1,1,,129001-35300,, "BOLT,LUB.O. STRAINER",1,,,,,S,, "E/# 48604",,,,,,  
32,1,,129150-35350,, NUT,1,,,,,,,,,,,,,  
33,1,,24311-000160,, "O-RING 1A P-16.0",1,,,,,,,,,,,,,  
34,1,,26106-080202,, "BOLT M 8X 20 PLATED",3,,,,,,,,,,,,,  
35,1,,124160-39140,, "BOLT 10, PIPE JOINT",1,,,,,,,,,,,,,  
36,1,,119810-39200,, "PIPE ASSY, LUB. OIL",1,,,,,,,,,,,,,  
40,1,,124160-39450,, "SWITCH, OIL PRESSURE",1,,,,,,,,,,,,,  
41,1,,124550-59820,, "BOLT 8, PIPE JOINT",1,,,,,,,,,,,,,  
42,1,,43400-500410,, "SEAL WASHER 8S",2,,,,,,,,,,,,,  
42-1,1,,22190-080002,, "SEAL WASHER 8S",2,,,,,R,, "E/# 47470",,,,,,  
43,1,,23414-100000,, "GASKET 10, ROUND",2,,,,,,,,,,,,,



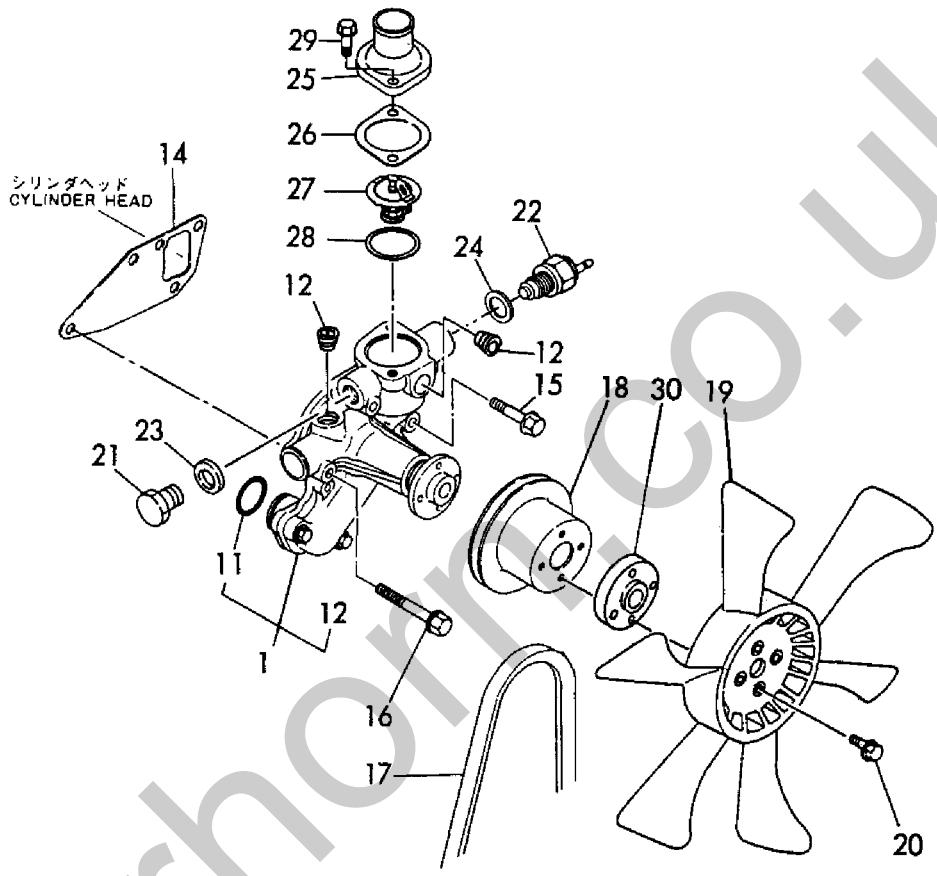
Fig. 9 潤滑油システム  
LUB. OIL SYSTEM



1,1,,119810-42001,, "PUMP,C.W.(NON-ASB.)",1,,,,,,,,,,,,,  
11,2,,129150-42320,,O-RING,1,,,,,,,,,,,,,  
12,2,,23871-030000,, "PLUG PT3/8,SCREW",2,,,,,,,,,,,,,  
14,1,,129150-42020,, "GASKET, C.W. PUMP",1,,,,,A,,,,,  
15,1,,26106-080352,, "BOLT M 8X 35 PLATED",1,,,,,,,,,,,,,  
16,1,,26106-080552,, "BOLT M 8X 55 PLATED",3,,,,,,,,,,,,,  
17,1,,121492-42290,, "V-BELT (A-38)",1,,,,,,,,,,,,,  
18,1,,129120-42350,, "V-PULLEY, F.W.PUMP",1,,,,,,,,,,,,,  
19,1,,119831-44740,, "FAN, COOLING",1,,,,,,,,,,,,,  
20,1,,26014-060252,, "BOLT M 6X 25",4,,,,,,,,,,,,,  
21,1,,121450-42450,, "PLUG M16",1,,,,,,,,,,,,,  
22,1,,121250-44901,, "SWITCH, THERMO(110SC)",1,,,,,,,,,,,,,  
23,1,,124465-44950,, "GASKET 16",1,,,,,,,,,,,,,  
24,1,,124465-44950,, "GASKET 16",1,,,,,,,,,,,,,  
25,1,,129350-49530,, "COVER, THERMOSTAT",1,,,,,,,,,,,,,  
26,1,,129795-49551,, "GASKET, (NON-ASB.)",1,,,,,A,,,,,  
27,1,,129155-49800,, THERMOSTAT,1,,,,,,,,,,,,,  
28,1,,129150-49811,, "GASKET, (NON-ASB.)",1,,,,,A,,,,,  
29,1,,26106-080202,, "BOLT M 8X 20 PLATED",2,,,,,,,,,,,,,  
30,1,,124574-44761,, SPACER,1,,,,,,,,,,,,,

Silverhorn.CO.UK

Fig. 10 冷却水システム  
COOLING WATER SYSTEM

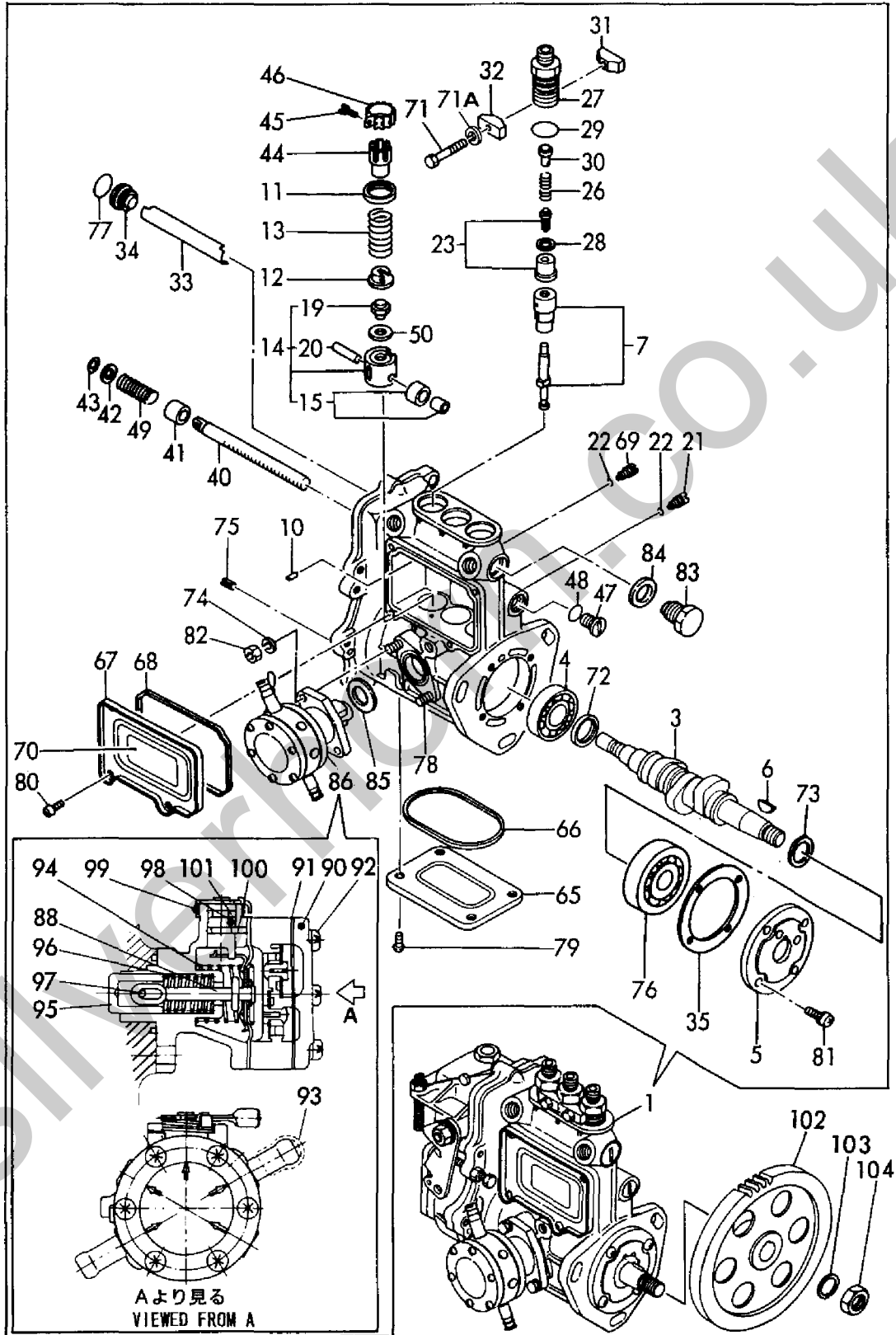


1,1,,719831-51380,, "PUMP W/GOV.& F.PUMP",1,,,,,,,,,1,,,,,,,,,  
3,2,,119810-51040,, CAMSHAFT,1,,,,,,,,,  
4,2,,129155-51050,, "BALL BEARING, THRUST",1,,,,,,,,,  
5,2,,129155-51060,, "CAM SHAFT SUPPORT",1,,,,,,,,,  
6,2,,122710-51090,, KEY,1,,,,,,,,,  
7,2,,119889-51100,, "PLUNGER W/BARREL",3,,,,,,,,,  
10,2,,129155-51140,, "PIN, BARREL LOCKING",3,,,,,,,,,  
11,2,,174307-51170,, "RETAINER A",3,,,,,,,,,  
12,2,,129155-51180,, "SPRING SHOE, PLUNGER",3,,,,,,,,,  
13,2,,124950-51190,, "SPRING, PLUNGER",3,,,,,,,,,  
14,2,,129155-51200,, "TAPPET ASSY",3,,,,,,,,,  
15,3,,711100-51540,, "ROLLER ASSY",3,,,,,,,,,  
19,3,,129155-51250,, "BOLT, ADJUSTING",3,,,,,,,,,  
20,3,,174100-54120,, "PIN, ROLLER",3,,,,,,,,,  
21,2,,129155-51270,, "LOCKING, TAPPET",3,,,,,,,,,  
22,2,,129155-51280,, "O-RING S6",3,,,,,,,,,  
23,2,,128170-51300,, "VALVE W/SEAT, DELIV.",3,,,,,,,,,  
23-1,2,,129505-51300,, "VALVE W/SEAT, DELIV.",3,,,,,N,, "E/# 46857",,,,,,  
26,2,,129155-51320,, "SPRING, DELIV. VALVE",3,,,,,,,,,  
27,2,,129155-51340,, "GUARD, DELIVERY VALVE",3,,,,,,,,,  
28,2,,124550-51350,, "GASKET, DELIVERY",3,,,,,,,,,  
29,2,,124550-51370,, "O-RING, DELIVERY",3,,,,,,,,,  
30,2,,129155-51370,, "STOPPER, VALVE",3,,,,,,,,,  
31,2,,129155-51380,, "LOCKING (A)",2,,,,,,,,,  
32,2,,129155-51390,, "LOCKING (B)",2,,,,,,,,,  
33,2,,129155-51400,, DEFLECTOR,1,,,,,,,,,  
34,2,,129155-51410,, "CHECK BOLT, DEFLECTOR",1,,,,,,,,,  
35,2,,129155-51450,, "SHIM SET, ADJUSTING",1,,,,,,,,,  
40,2,,129155-51500,, "RACK, CONTROL",1,,,,,,,,,  
41,2,,129155-51521,, "BUSH, RACK",1,,,,,,,,,  
42,2,,129155-51530,, "SPACER, AUX. SPRING",1,,,,,,,,,  
43,2,,129155-51540,, CIRCLIP,1,,,,,,,,,  
44,2,,129155-51550,, "PINION, CONTROL",3,,,,,,,,,  
45,2,,122117-51560,, "SCREW, PINION",3,,,,,,,,,  
46,2,,174307-51560,, PINION,3,,,,,,,,,  
47,2,,129155-51570,, "PLUG (M12)",1,,,,,,,,,  
48,2,,129155-51580,, O-RING,1,,,,,,,,,  
49,2,,129155-51591,, "SPRING, RACK",1,,,,,,,,,  
50,2,,129155-51600,, "SHIM PACK",3,,,,,,,,,  
65,2,,129155-51700,, "COVER, LOWER",1,,,,,,,,,  
66,2,,129155-51710,, "GASKET, LOWER COVER",1,,,,,,,,,  
67,2,,129155-51750,, "COVER, SIDE",1,,,,,,,,,  
68,2,,129155-51760,, "GASKET, SIDE COVER",1,,,,,,,,,  
69,2,,129155-51790,, "LOCKING, RACK",1,,,,,,,,,  
70,2,,129156-51910,, "LABEL, CAUTION",1,,,,,,,,,  
71,2,,26116-050302,, "BOLT M 5X 30 PLATED",2,,,,,,,,,  
71A,2,,22217-050000,, "SPRING WASHER 5",2,,,,,W,, EXXX,,,,,  
72,2,,129155-51930,, "SPACER T=3.25",1,,,,,,,,,  
73,2,,129155-51940,, "SPACER T=1.5",1,,,,,,,,,  
74,2,,22217-060000,, "SPRING WASHER 6",2,,,,,,,,,  
75,2,,22351-050010,, "SPRING PIN 5X10",2,,,,,,,,,  
76,2,,24101-063034,, "BALL BEARING",1,,,,,,,,,  
77,2,,24341-000160,, "O-RING 1A S-16.0",1,,,,,,,,,  
78,2,,129155-51020,, "STUD, FEED PUMP",2,,,,,,,,,  
79,2,,26022-050102,, "SCREW M 5X 10",4,,,,,,,,,  
80,2,,26022-050102,, "SCREW M 5X 10",4,,,,,,,,,  
81,2,,26022-060162,, "SCREW M 6X 16",4,,,,,,,,,  
82,2,,26716-060002,, "NUT M 6",2,,,,,,,,,  
83,2,,129155-51420,, "PLUG (M16)",1,,,,,,,,,  
84,2,,43400-500490,, "SEAL WASHER 16S",1,,,,,,,,,  
84-1,2,,22190-160002,, "SEAL WASHER 16S",1,,,,,R,, "E/# 47470",,,,,,  
85,2,,129155-52050,, GASKET,1,,,,,,,,,  
86,2,,129100-52100,, "PUMP ASSY, FUEL FEED",1,,,,,,,,,

88,3,,129158-52020,,DIAPHRAGM,1,,,,,,,,,,,,,  
90,3,,129158-52060,,COVER,1,,,,,,,,,,,,,  
91,3,,129158-52070,,GASKET,1,,,,,,,,,,,,,  
92,3,,129158-52080,, "SCREW, CROSS",6,,,,,,,,,,,,,  
93,3,,129158-52090,,CAP,2,,,,,,,,,,,,,  
94,3,,129158-52160,,SPRING,1,,,,,,,,,,,,,  
95,3,,129158-52250,,TAPPET,1,,,,,,,,,,,,,  
96,3,,129158-52260,,SPRING,1,,,,,,,,,,,,,  
97,3,,129158-52270,, "PIN, TAPPET",1,,,,,,,,,,,,,  
98,3,,129158-52350,, "LEVER, PRIMING",1,,,,,,,,,,,,,  
99,3,,129158-52360,, "SPRING, RETURN",1,,,,,,,,,,,,,  
100,3,,129158-52370,, "PIN, PRIMING LEVER",1,,,,,,,,,,,,,  
101,3,,129158-52380,, "O-RING,PRIMING LEVER",1,,,,,,,,,,,,,  
102,1,,129150-25900,, "GEAR, FUEL INJ. PUMP",1,,,,,,,,,,,,,  
103,1,,22217-120000,, "WASHER 12,SPRING",1,,,,,,,,,,,,,  
104,1,,26716-120002,, "NUT M12",1,,,,,,,,,,,,,

Silverhorn.CO.UK

Fig. 11 燃料噴射ポンプ FUEL INJECTION PUMP

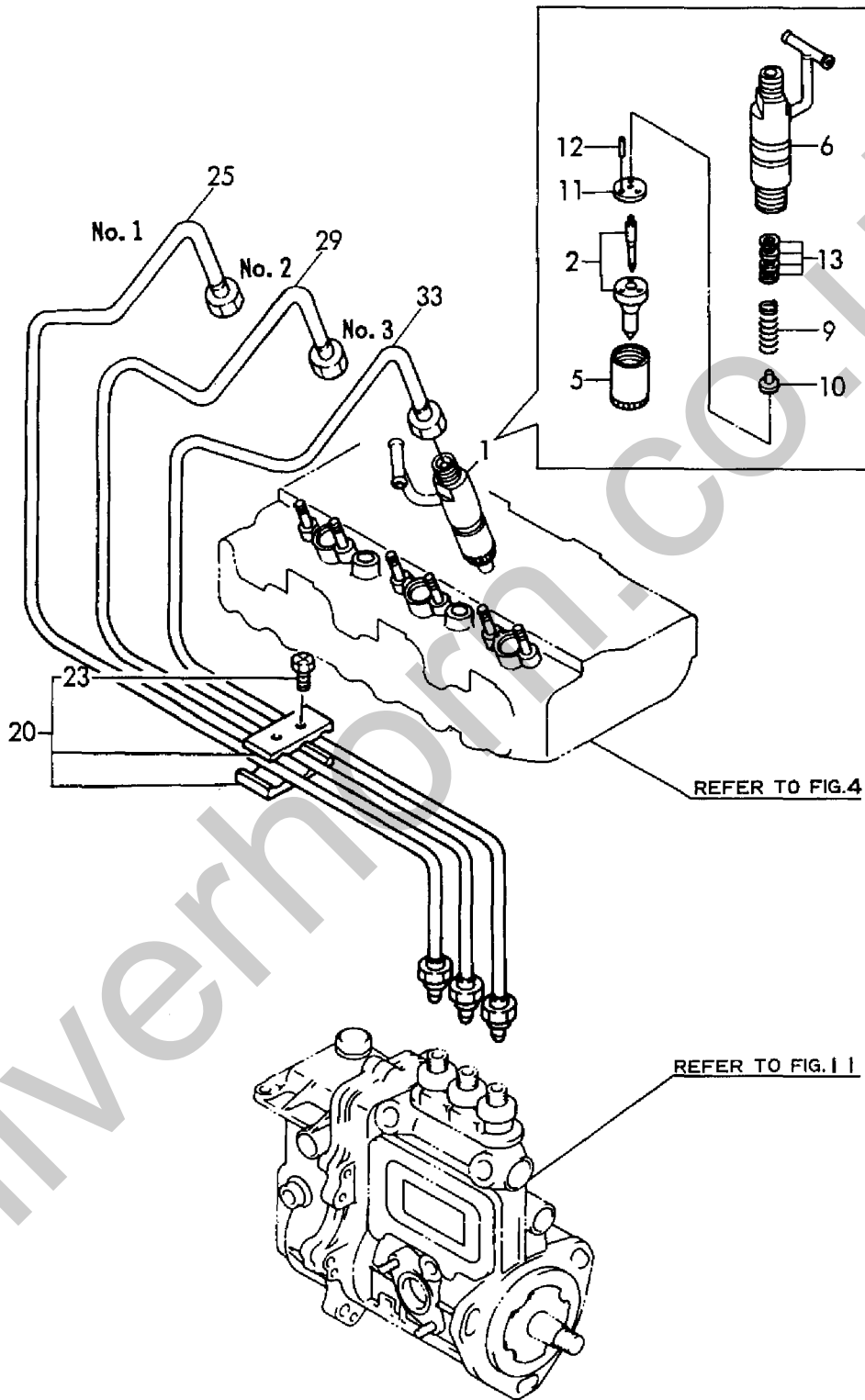




1,1,,719807-53100,, "VALVE ASSY, F.INJECT",3,,,,,,,,,,,,,  
2,2,,119807-53000,, "NOZZLE ASSY,F.INJECT",3,,,,,,,,,,,,,  
5,2,,114250-53080,, "NUT, NOZZLE CASE",3,,,,,,,,,,,,,  
6,2,,129100-53100,, "HOLDER ASSY, NOZZLE",3,,,,,,,,,,,,,  
9,2,,114250-53120,, "SPRING, NOZZLE",3,,,,,,,,,,,,,  
10,2,,114250-53130,, "SEAT, NOZZLE SPRING",3,,,,,,,,,,,,,  
11,2,,114250-53140,, "PLATE, STOP",3,,,,,,,,,,,,,  
12,2,,114250-53210,, PIN,6,,,,,,,,,,,,,  
13,2,,114250-53400,, "SHIM PACK",3,,,,,,,,,,,,,  
20,1,,129150-59120,, "RETAINER, INJ. PIPE",1,,,,,,,,,,,,,  
23,2,,129150-59130,, "BOLT M 4X 12",2,,,,,,,,,,,,,  
23-1,2,,129150-59131,, "BOLT M4X14,HEX.SCKT.",2,,,,,N,,,, "E/# 47980",,,,,,  
25,1,,119810-59810,, "PIPE, FUEL INJECTION",1,,,,,,,,,,,,,  
29,1,,119810-59820,, "PIPE, FUEL INJECTION",1,,,,,,,,,,,,,  
33,1,,119810-59830,, "PIPE, FUEL INJECTION",1,,,,,,,,,,,,,

Silverhorn.CO.UK

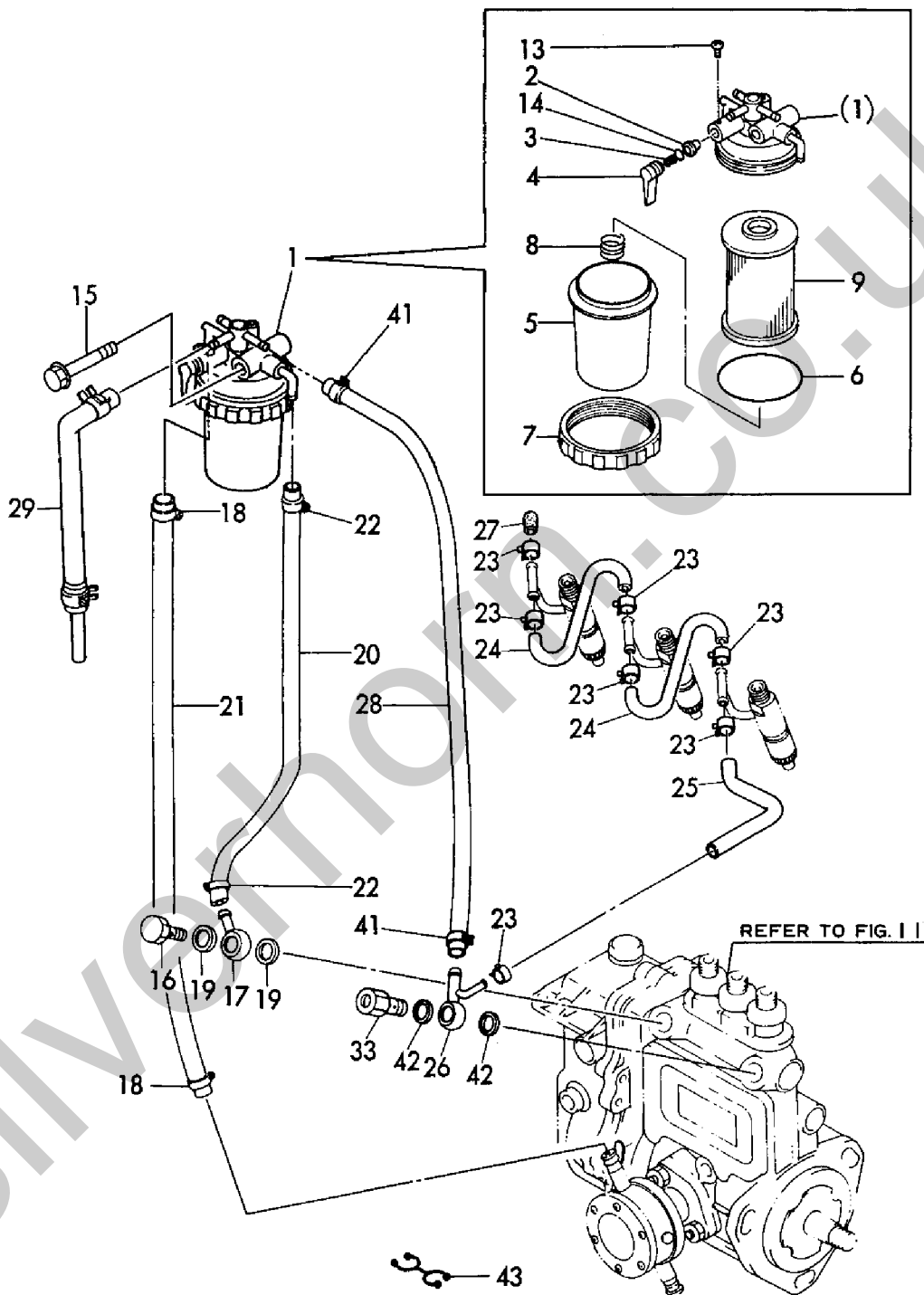
Fig. 12 燃料噴射パイプ  
FUEL INJECTION PIPE



1,1,,119810-55621,, "STRAINER ASSY, FUEL",1,,,,,,,,,,,,,  
2,2,,104200-55321,, "VALVE, TAPER",1,,,,,,,,,,,,,  
3,2,,104200-55330,, "SPRING, TAPER VALVE",1,,,,,,,,,,,,,  
4,2,,119810-55340,, LEVER,1,,,,,,,,,,,,,  
5,2,,121254-55510,, "CUP, STRAINER",1,,,,,,,,,,,,,  
6,2,,102103-55520,, O-RING,1,,,,,,,,,,,,,  
7,2,,110250-55610,, "RING, RETAINING",1,,,,,,,,,,,,,  
8,2,,121250-55620,, SPRING,1,,,,,,,,,,,,,  
9,2,,119810-55650,, ELEMENT,1,,,,,,,,,,,,,  
13,2,,104200-55750,, "SCREW M 4",1,,,,,,,,,,,,,  
14,2,,24311-240100,, "O-RING 1A P-10A",1,,,,,,,,,,,,,  
15,1,,26014-080702,, "BOLT W/WASHER M8X 70",1,,,,,,,,,,,,,  
16,1,,103854-39140,, "BOLT, PIPE JOINT",1,,,,,,,,,,,,,  
17,1,,101304-59020,, "JOINT 12, PIPE",1,,,,,,,,,,,,,  
18,1,,124766-59050,, "CLAMP 12",2,,,,,,,,,,,,,  
19,1,,104200-59170,, "GASKET 12",2,,,,,,,,,,,,,  
20,1,,129555-59510,, "PIPE, FUEL",1,,,,,,,,,,,,,  
21,1,,105025-59530,, "FUEL OIL PIPE",1,,,,,,,,,,,,,  
21-1,1,,129255-59580,, "PIPE, FUEL",1,,,,,N,, EXXX,,,,,  
22,1,,124766-59050,, "CLAMP 12",2,,,,,,,,,,,,,  
23,1,,124066-59100,, "CLAMP 8",7,,,,,,,,,,,,,  
24,1,,121250-59550,, "PIPE, FUEL",2,,,,,,,,,,,,,  
25,1,,119840-59560,, "PIPE, FUEL RETURN",1,,,,,,,,,,,,,  
26,1,,119840-59570,, JOINT,1,,,,,,,,,,,,,  
27,1,,129150-59580,, CAP,1,,,,,,,,,,,,,  
28,1,,129255-59580,, "PIPE, FUEL",1,,,,,,,,,,,,,  
29,1,,119840-59601,, "BEND ASSY",1,,,,,,,,,,,,,  
33,1,,129100-59951,, "VALVE ASSY, CHECK",1,,,,,,,,,,,,,  
41,1,,124766-59050,, "CLAMP 12",2,,,,,,,,,,,,,  
42,1,,23414-120000,, "GASKET 12, ROUND",2,,,,,,,,,,,,,  
43,1,,119831-59100,, LOCK,1,,,,,W,, "E/# 46857",,,,,,

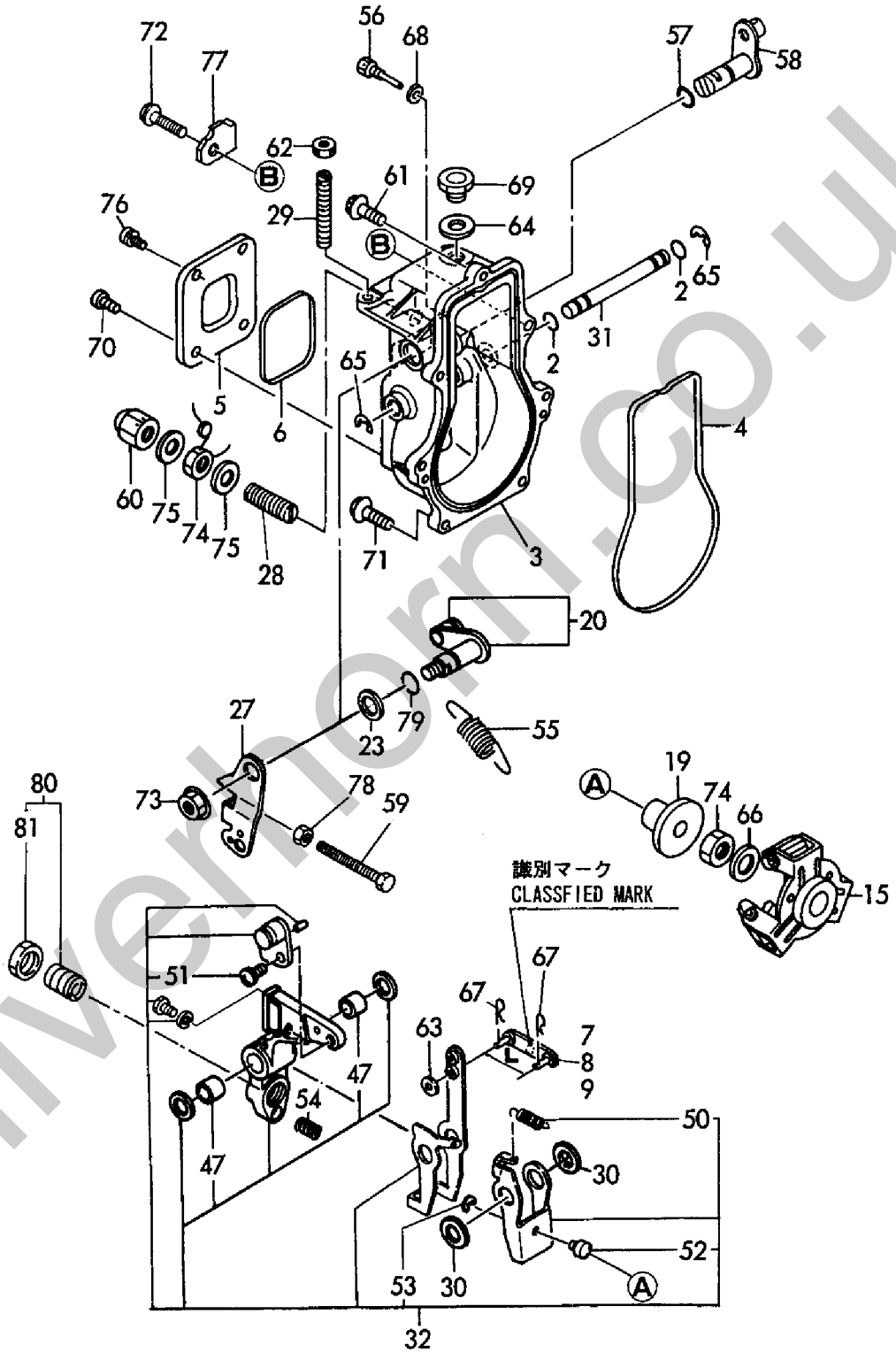


Fig. **13** 燃料パイプ  
FUEL PIPE



2,2,,129155-51280,, "O-RING S6",2,,,,,,,,,,,,,,,,,,,,,  
3,2,,129155-61012,, "CASE, GOVERNOR",1,,,,,,,,,,,,,,,,,,,,,  
4,2,,129155-61050,, "GASKET, GOV. CASE",1,,,,,,,,,,,,,,,,,,,,,  
5,2,,129155-61060,, "COVER, GOVERNOR CASE",1,,,,,,,,,,,,,,,,,,,,,  
6,2,,129155-61070,, "GASKET, CASE COVER",1,,,,,,,,,,,,,,,,,,,,,  
7,2,,129155-61120,, "LINK L=30(MARK 0",1,,,,,,,,,1,,,,,,,,,,,,,  
8,2,,129155-61140,, "LINK L=30.5(MARK 05)",1,,,,,,,,,1,,,,,,,,,,,,,  
9,2,,129155-61130,, "LINK L=31(MARK 1",1,,,,,,,,,1,,,,,,,,,,,,,  
15,2,,129155-61201,, "WEIGHT ASSY, GOV.",1,,,,,,,,,,,,,,,,,,,,,  
19,2,,129155-61341,, "SLEEVE",1,,,,,,,,,,,,,,,,,,,,,  
20,2,,129100-61400,, "SHAFT ASSY, CONTROL",1,,,,,,,,,,,,,,,,,,,,,  
23,2,,129155-61430,, "SPACER, SHAFT",1,,,,,,,,,,,,,,,,,,,,,  
27,2,,129100-61440,, "LEVER, CONTROL",1,,,,,,,,,,,,,,,,,,,,,  
28,2,,129155-61470,, "BOLT, FUEL CONTROL",1,,,,,,,,,,,,,,,,,,,,,  
29,2,,129155-61450,, "BOLT, REVOL. LIMIT",1,,,,,,,,,,,,,,,,,,,,,  
30,2,,129155-61480,, "SPACER ASSY",2,,,,,,,,,,,,,,,,,,,,,  
31,2,,129155-61490,, "SHAFT, GOV. LEVER",1,,,,,,,,,,,,,,,,,,,,,  
32,2,,119843-61500,, "LEVER ASSY, GOVERNOR",1,,,,,,,,,,,,,,,,,,,,,  
47,3,,119843-61550,, "BUSH",2,,,,,,,,,,,,,,,,,,,,,  
50,3,,119843-61540,, "SPRING",1,,,,,,,,,,,,,,,,,,,,,  
51,3,,26022-060122,, "SCREW M 6X 12",1,,,,,,,,,,,,,,,,,,,,,  
52,3,,129155-61540,, "SHIFTER",1,,,,,,,,,,,,,,,,,,,,,  
53,3,,22272-000040,, "CIRCLIP E- 4",1,,,,,,,,,,,,,,,,,,,,,  
54,2,,129100-61650,, "SPRING, FUEL CONTROL",1,,,,,,,,,,,,,,,,,,,,,  
55,2,,129489-61700,, "SPRING, GOVERNOR",1,,,,,,,,,,,,,,,,,,,,,  
56,2,,129155-61810,, "PIN, STOP LEVER",1,,,,,,,,,,,,,,,,,,,,,  
57,2,,129155-61830,, "O-RING S10",1,,,,,,,,,,,,,,,,,,,,,  
58,2,,129129-61801,, "LEVER ASSY, STOP",1,,,,,,,,,,,,,,,,,,,,,  
59,2,,129155-61460,, "BOLT, IDLE LIMIT",1,,,,,,,,,,,,,,,,,,,,,  
60,2,,26687-120002,, "CAP NUT M12",1,,,,,,,,,,,,,,,,,,,,,  
61,2,,129155-61950,, "BOLT, WASHER BASED",1,,,,,,,,,,,,,,,,,,,,,  
62,2,,124550-66370,, "LOCK NUT M 6",1,,,,,,,,,,,,,,,,,,,,,  
63,2,,22117-040000,, "WASHER 4",1,,,,,,,,,,,,,,,,,,,,,  
64,2,,43400-500430,, "SEAL WASHER 10S",1,,,,,,,,,,,,,,,,,,,,,  
64-1,2,,22190-100002,, "SEAL WASHER 10S",1,,,,,R,, "E/# 47470",,,,,,  
65,2,,22272-000060,, "CIRCLIP E- 6",2,,,,,,,,,,,,,,,,,,,,,  
66,2,,22287-120000,, "WASHER 12",1,,,,,,,,,,,,,,,,,,,,,  
67,2,,22372-040000,, "SNAP PIN 4",2,,,,,,,,,,,,,,,,,,,,,  
68,2,,43400-500390,, "SEAL WASHER 6S",1,,,,,,,,,,,,,,,,,,,,,  
68-1,2,,22190-060002,, "SEAL WASHER 6S",1,,,,,R,, "E/# 47470",,,,,,  
69,2,,23887-100002,, "PLUG 10",1,,,,,,,,,,,,,,,,,,,,,  
70,2,,26022-050102,, "SCREW M 5X 10",2,,,,,,,,,,,,,,,,,,,,,  
71,2,,26106-060202,, "BOLT M 6X 20 PLATED",5,,,,,,,,,,,,,,,,,,,,,  
72,2,,26106-060252,, "BOLT M 6X 25 PLATED",1,,,,,,,,,,,,,,,,,,,,,  
73,2,,26366-080002,, "NUT M 8",1,,,,,,,,,,,,,,,,,,,,,  
74,2,,26776-120002,, "LOCK NUT M12 PLATED",2,,,,,,,,,,,,,,,,,,,,,  
75,2,,43400-500450,, "SEAL WASHER 12S",2,,,,,,,,,,,,,,,,,,,,,  
75-1,2,,22190-120002,, "SEAL WASHER 12S",2,,,,,R,, "E/# 47470",,,,,,  
76,2,,26023-050102,, "SCREW M 5X 10",2,,,,,,,,,,,,,,,,,,,,,  
77,2,,129116-61890,, "SUPPORT, STOP LEVER",1,,,,,,,,,,,,,,,,,,,,,  
78,2,,26756-060002,, "LOCK NUT M 6 PLATED",1,,,,,,,,,,,,,,,,,,,,,  
79,2,,24311-240100,, "O-RING 1A P-10A",1,,,,,,,,,,,,,,,,,,,,,  
80,1,,129132-61550,, "ANGLEICH ASSY",1,,,,,,,,,,,,,,,,,,,,,  
81,2,,129155-61590,, "NUT",1,,,,,,,,,,,,,,,,,,,,,

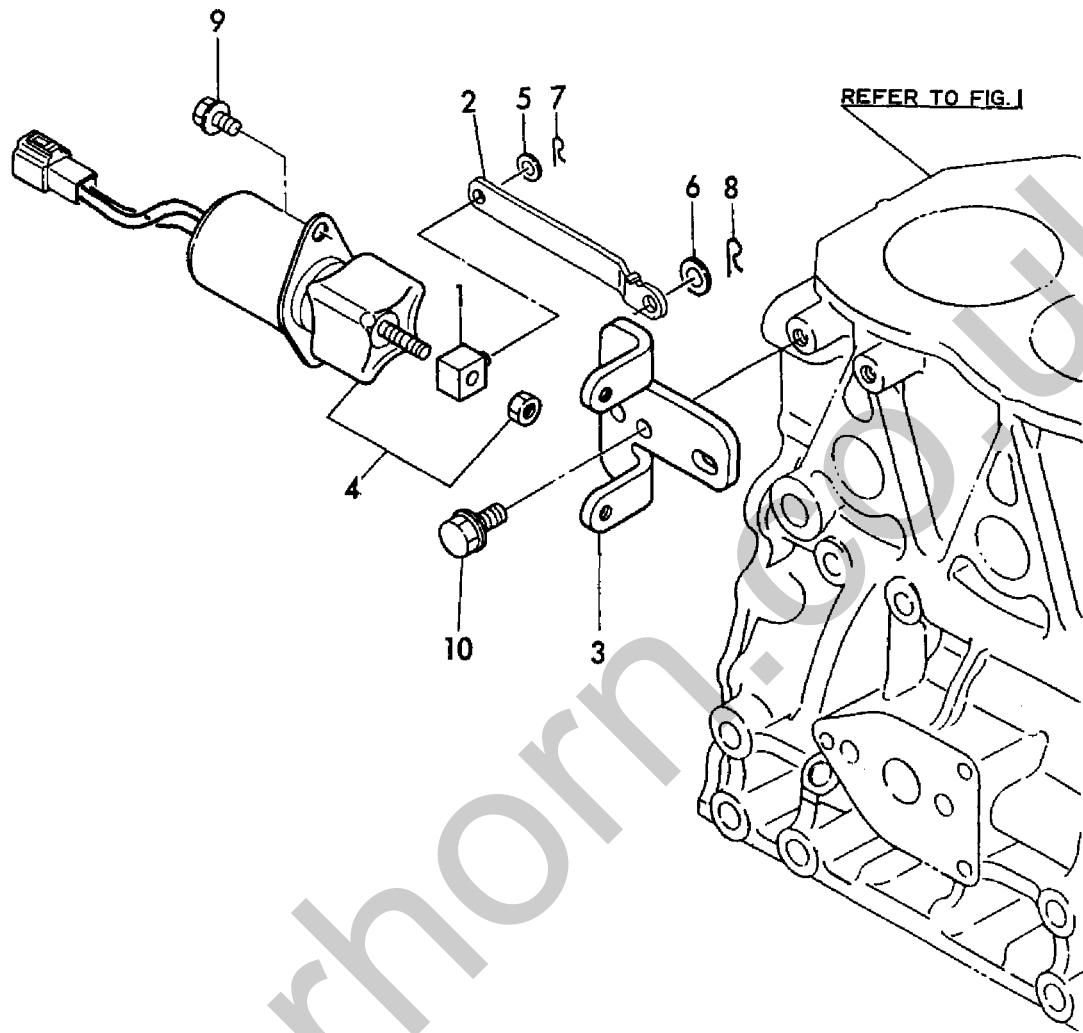
Fig. 14 ガバナ  
GOVERNOR



1,1,,119620-66820,,JOINT,1,,,,,,,,,,,,,  
2,1,,119807-66860,,LINK,1,,,,,,,,,,,,,  
3,1,,119820-66870,, "BRACKET, SOLENOID",1,,,,,,,,,,,,,  
4,1,,119807-77800,, "SOLENOID,STOP",1,,,,,,,,,,,,,  
5,1,,22117-060000,, "WASHER 6",1,,,,,,,,,,,,,  
6,1,,22117-080000,, "WASHER 8",1,,,,,,,,,,,,,  
7,1,,22360-060000,, "SNAP PIN 6",1,,,,,,,,,,,,,  
8,1,,22360-080000,, "SNAP PIN 8",1,,,,,,,,,,,,,  
9,1,,26106-060102,, "BOLT M 6X 10 PLATED",2,,,,,,,,,,,,,  
10,1,,26106-080162,, "BOLT M 8X 16 PLATED",2,,,,,,,,,,,,,

Silverhorn.CO.UK

Fig. **15** 機関停止装置  
ENGINE STOP DEVICE

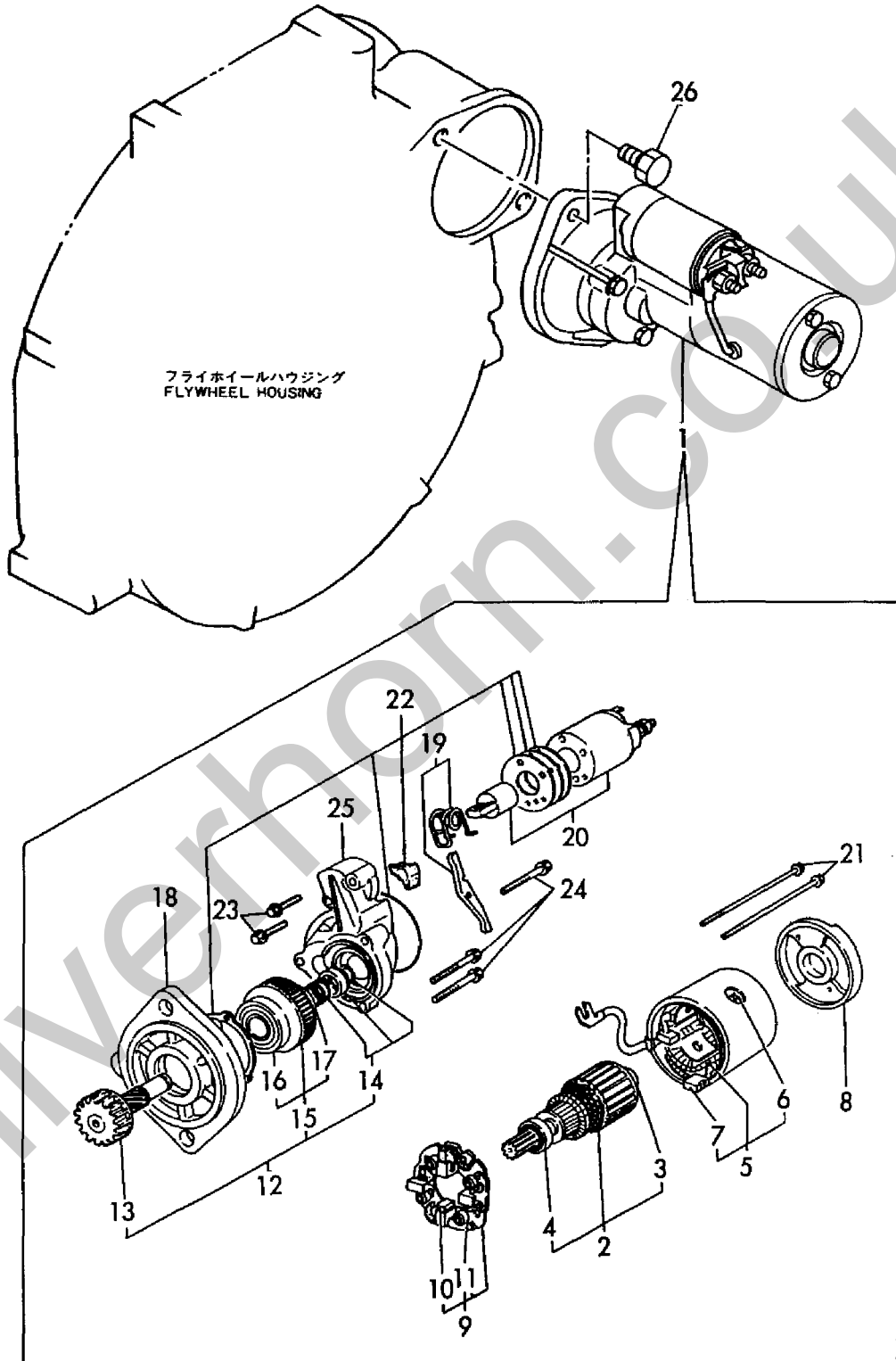




1,1,,124976-77011,, "STARTER (S114-349A)",1,,,,,,,,,,,,,  
2,2,,X211451007,, "ARMATURE ASSY",1,,,,,,,,,,,,,  
3,3,,171008-77410,, "BEARING(1)",1,,,,,,,,,,,,,  
4,3,,171008-77420,, "BEARING(2)",1,,,,,,,,,,,,,  
5,2,,X211472106,, "COIL ASSY, FIELD",1,,,,,,,,,,,,,  
6,3,,171008-77450,, "SCREW, POLE CORE SET",4,,,,,,,,,,,,,  
7,3,,171008-77460,, "BRUSH (+)",2,,,,,,,,,,,,,  
8,2,,171008-77500,, "COVER, REAR",1,,,,,,,,,,,,,  
9,2,,171008-77470,, "HOLDER ASSY, BRUSH",1,,,,,,,,,,,,,  
10,3,,171008-77480,, "BRUSH (-)",2,,,,,,,,,,,,,  
11,3,,171008-77490,, "SPRING, BRUSH",4,,,,,,,,,,,,,  
12,2,,X211415505,, "CLUTCH ASSY",1,,,,,,,,,,,,,  
13,3,,171008-77660,, "SHAFT, PINION",1,,,,,,,,,,,,,  
14,3,,171008-77670,, "STOPPER SET, PINION",1,,,,,,,,,,,,,  
15,3,,X211425505,, "CLUTCH ASSY",1,,,,,,,,,,,,,  
16,4,,171008-77730,, "BALL BEARING (3)",1,,,,,,,,,,,,,  
17,4,,171008-77740,, "BALL BEARING (4)",1,,,,,,,,,,,,,  
18,2,,171008-77510,, "HOUSING ASSY, GEAR",1,,,,,,,,,,,,,  
19,2,,X21146012,, "LEVER, SHIFT",1,,,,,,,,,,,,,  
20,2,,171008-55730,, "SWITCH, MAGNETIC",1,,,,,,,,,,,,,  
21,2,,124195-77770,, "THROUGH BOLT",2,,,,,,,,,,,,,  
22,2,,171008-77571,, "DUST COVER, (NON-ASB.)",1,,,,,,,,,,,,,  
23,2,,26106-060322,, "BOLT M 6X 32 PLATED",2,,,,,,,,,,,,,  
24,2,,26106-060402,, "BOLT M 6X 40 PLATED",3,,,,,,,,,,,,,  
25,2,,X211414501,, "HOUSING, CENTER",1,,,,,,,,,,,,,  
26,1,,26116-120252,, "BOLT M12X 25 PLATED",2,,,,,,,,,,,,,

Silverhorn.co.uk

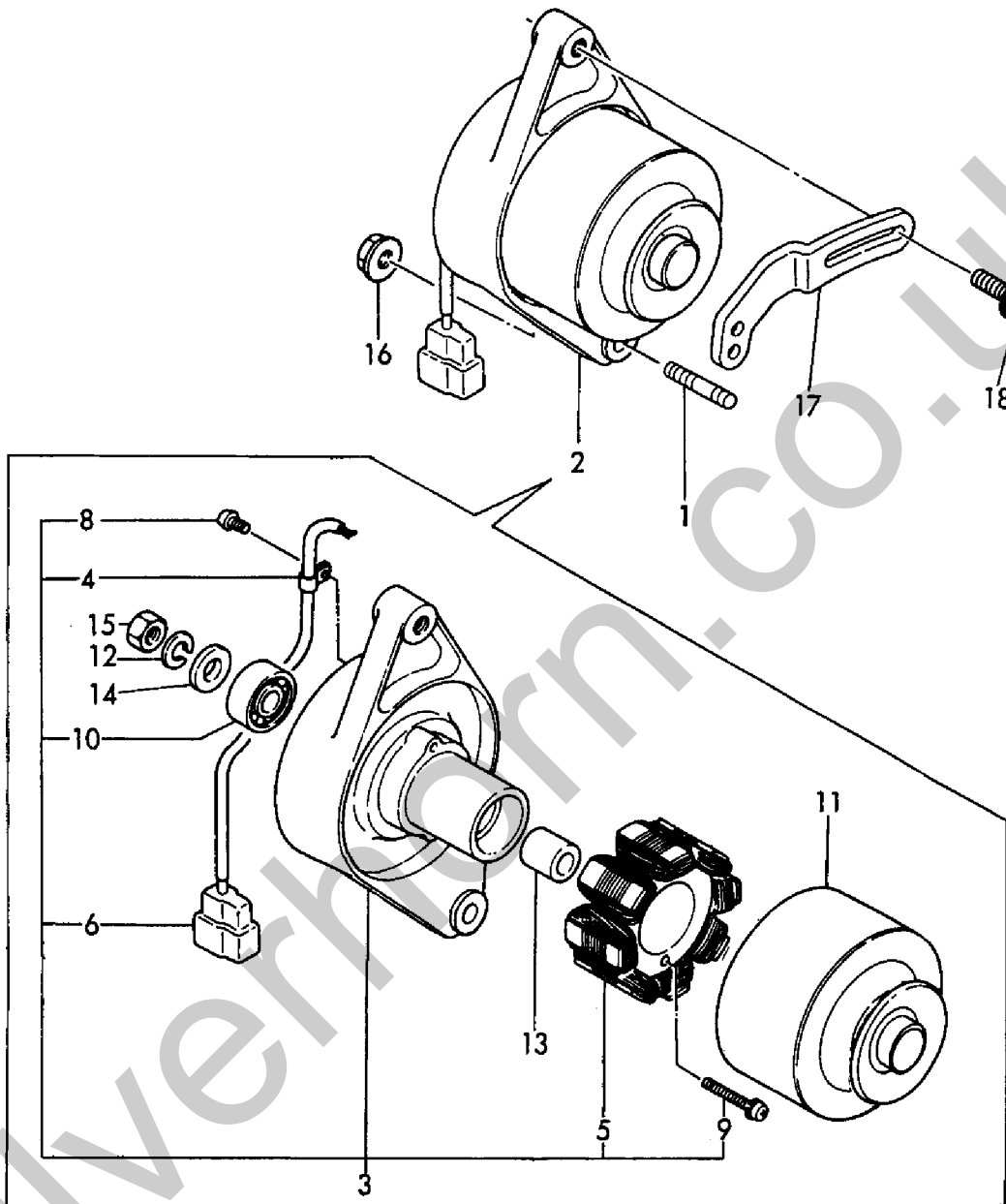
Fig. 16 スターティングモータ  
STARTING MOTOR



1,1,,121450-01570,,STUD,1,,,,,,,,,,,,,  
2,1,,129150-77202,,GENERATOR,1,,,,,,,,,,,,,  
3,2,,129150-77210,, "PLATE ASSY",1,,,,,,,,,,,,,  
4,3,,XM069000000,,CLAMP,1,,,,,,,,,,,,,  
5,3,,XM081780000,,STATOR,1,,,,,,,,,,,,,  
6,3,,XM178780000,,COUPLER,1,,,,,,,,,,,,,  
8,3,,XYSPS400800,,SCREW,1,,,,,,,,,,,,,  
9,3,,XYSPS402400,,SCREW,2,,,,,,,,,,,,,  
10,3,,24107-062010,, "BALL BEARING",1,,,,,,,,,,,,,  
11,2,,129150-77230,, "FLYWHEEL ASSY",1,,,,,,,,,,,,,  
12,2,,XM219230000,, "WASHER, SPRING",1,,,,,,,,,,,,,  
13,2,,XM329830000,,COLLAR,1,,,,,,,,,,,,,  
14,2,,XM860250000,, "WASHER 10",1,,,,,,,,,,,,,  
15,2,,XM863720000,,NUT,1,,,,,,,,,,,,,  
16,1,,26366-100002,, "NUT M10",1,,,,,,,,,,,,,  
17,1,,119867-77331,,ADJUSTER,1,,,,,,,,,,,,,  
18,1,,26014-080252,, "BOLT M 8X 25",1,,,,,,,,,,,,,

Silverhorn.CO.UK

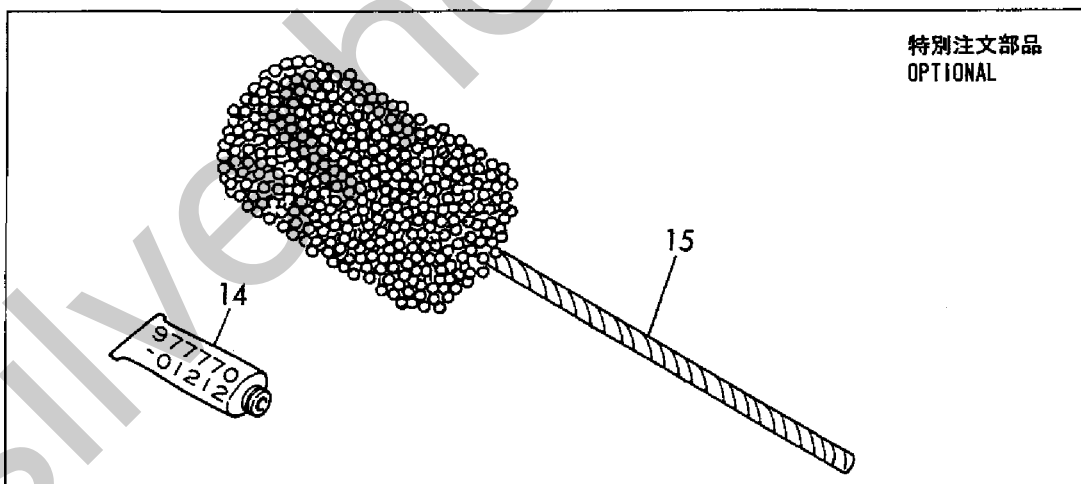
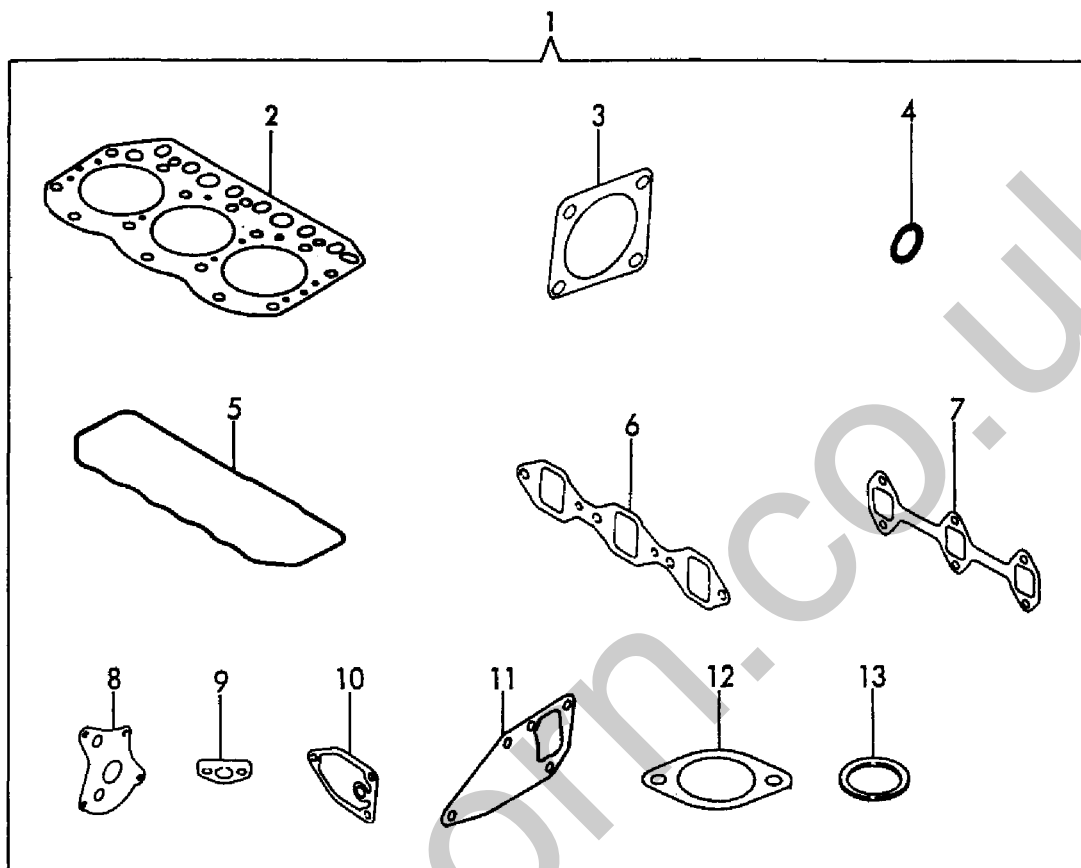
Fig. 17 ジェネレータ  
GENERATOR



1,1,,719831-92601,, "GASKET SET",1,,,,,,,,1,,,,,,,,,  
2,2,,119865-01331,, "GASKET, CYL. HEAD",1,,,,,,,,,  
3,2,,124240-01883,, "GASKET, (NON-ASB.)",2,,,,,,,,,  
4,2,,24311-000320,, "O-RING 1A P-32.0",2,,,,,,,,,  
5,2,,119865-11310,, "GASKET, BONNET",1,,,,,,,,,  
6,2,,119810-12111,, "GASKET, (NON-ASB.)",1,,,,,,,,,  
7,2,,119810-13110,, "GASKET, EXH.MANIFOLD",1,,,,,,,,,  
8,2,,129150-32020,, "GASKET, L.O. PUMP",1,,,,,,,,,  
9,2,,129150-35041,, "GASKET, (NON-ASB.)",1,,,,,,,,,  
10,2,,129150-35111,, "GASKET, (NON-ASB.)",1,,,,,,,,,  
11,2,,129150-42020,, "GASKET, C.W. PUMP",1,,,,,,,,,  
12,2,,129795-49551,, "GASKET, (NON-ASB.)",1,,,,,,,,,  
13,2,,129150-49811,, "GASKET, (NON-ASB.)",1,,,,,,,,,  
14,1,,977770-01212,, "GASKET, LIQUID",1,,,,,1,,,,,  
15,1,,129400-92410,, "FLEX HORN",1,,,,,1,,,,,

Silverhorn.CO.UK

Fig. 18 パッキンセット(オプション)&工具  
GASKET SET (OPTIONAL) & TOOL



0,Y00B4741  
1,001,, "ENGINE 3TN75L-RB1"  
2,1,, "CYLINDER BLOCK",3TN75L-RB1,,,  
2,2,, "GEAR HOUSING",3TN75L-RB1,,,  
2,3,, "FLYWHEEL HOUSING & OIL SUMP",3TN75L-RB1,,,  
2,4,, "CYLINDER HEAD & BONNET",3TN75L-RB1,,,  
2,5,, "SUCTION MANIFOLD & AIR CLEANER",3TN75L-RB1,,,  
2,6,, "EXHAUST MANIFOLD & SILENCER",3TN75L-RB1,,,  
2,7,, "CAMSHAFT & DRIVING GEAR",3TN75L-RB1,,,  
2,8,, "CRANKSHAFT & PISTON",3TN75L-RB1,,,  
2,9,, "LUB. OIL SYSTEM",3TN75L-RB1,,,  
2,10,, "COOLING WATER SYSTEM",3TN75L-RB1,,,  
2,11,, "FUEL INJECTION PUMP",3TN75L-RB1,,,  
2,12,, "FUEL INJECTION PIPE",3TN75L-RB1,,,  
2,13,, "FUEL PIPE",3TN75L-RB1,,,  
2,14,, "GOVERNOR",3TN75L-RB1,,,  
2,15,, "ENGINE STOP DEVICE",3TN75L-RB1,,,  
2,16,, "STARTING MOTOR",3TN75L-RB1,,,  
2,17,, "GENERATOR",3TN75L-RB1,,,  
2,18,, "GASKET SET(OPTIONAL) & TOOL",3TN75L-RB1,,,

Silverhorn.CO.UK